

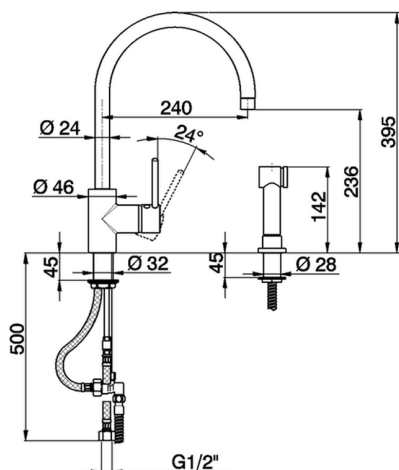
## Fregadero monomando ducha extraíble KITCHEN\_LL004570

MODELO **LL004570**

Fregadero monomando ducha extraíble, caño giratorio, flexible Latón 150 cm

ACABADOS DISPONIBLES

-  **21** 21 Cromo
-  **2A** 2A Niquel Satinado Cepillado
-  **2F** 2F Niquel Cepillado



CARACTERÍSTICAS

Recambio Cartucho **ZZ93196000**

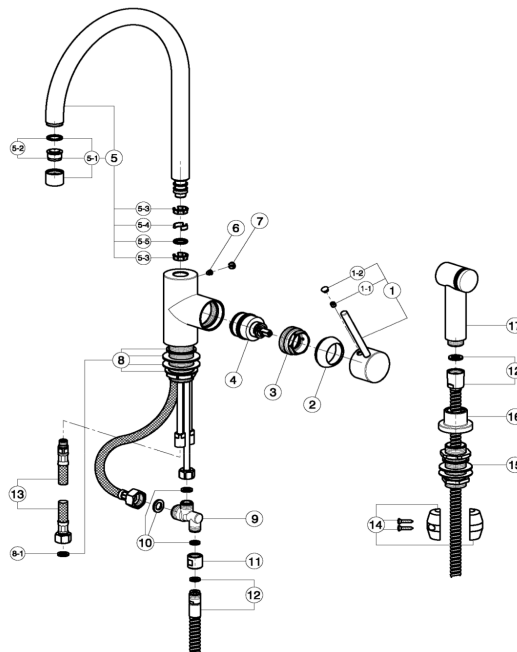
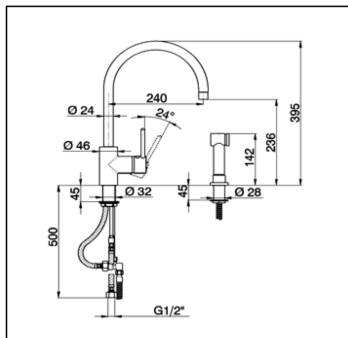
**Cartucho Monomando 38 mm**



## Fregadero monomando ducha extraíble KITCHEN\_LL004570

# cisal

### LL 00457



NR.	DESCRIZIONE DESCRIPTION BESCHREIBUNG DESCRIPTION	N.CODICE CODE NO. WERSKNR. NR.CODE
1	Leva monocomando "LL" Lever "LL" Hebel "LL" Levier "LL"	ZZ944020
1-1	Grano punta piana inox M.6x6 Screw-stainless steel M.6x6 Madenschraube M.6x6 Vis speciale inox M.6x6	ZZ926450
1-2	Placchetta per leva neutra Cap for lever Abdeckkappe f/Hebel Plaquelette levier	ZZ933470
2	Capricartuccia monocomando Escutcheon cartridge Abdeckkappe Couvre-cartouche	ZZ933510
3	Calotta bloccaggio cartuccia Nut for mixing valve Mutter f/Kartusche Ecrou pour cartouche	ZZ933530
4	Cartuccia monocomando Mixing valve Kartusche Cartouche mitigeurs	ZZ931960
5	Canna alta Ø24 Interasse 240 Swinging spout 240 Ø24 Auslauf-Rohr-U-240 Ø24 Bec orientable 240 Ø24	ZZ944030
5-1	Aeratore M.22x1 IA Cascade Mousseur M.22x1 IA Cascade Perlator M.22x1 IA Cascade Mousseur M.22x1 IA Cascade	ZZ932830
5-2	Cartuccia per aeratore M. 22x1 Cascade Mousseur cartridge M.22x1 Cascade Kart. f/Perlator M.22x1 Cascade Cartouche x mousseur M.22x1 Cascade	ZZ933390

NR.	DESCRIZIONE DESCRIPTION BESCHREIBUNG DESCRIPTION	N.CODICE CODE NO. WERSKNR. NR.CODE
5-3	Anello per canna Ring for spout Ring fuer Auslauf Bague pour bec	ZZ941020
5-4	Rondella antifrizione Dichtung fuer Huelse Washer for covering tube Joint pour bague couverture	ZZ941030
5-5	O.R. 11 NBR 75 SH. O.R. 11 NBR 75 SH. O.R. 11 NBR 75 SH. O.R. 11 NBR 75 SH.	ZZ926900
6	Vite M.6 Screw M.6 Schraube M.6 Vis M.6	ZZ941090
7	Placchetta per leva neutra Cap for lever Abdeckkappe f/Hebel Plaquelette levier	ZZ927110
8	Set installazione monoc.doccia estraibile Installation set single lever Befestigungsset Set installation	ZZ928860
8-1	Guarnizione fibra 3/8" Gasket rubber 3/8" Fiberdichtung 3/8" Joint en fibre 3/8"	ZZ926960
9	Valv.2 vie monoc.lavel. 2 way valve for single lever sink mixer 2 Wege Ventil f.Spültischbatterie Clapet 2 voies mitigeur évier	ZZ943650
10	Set guarn.monoc.lavel. Packings' set for single lever sink mixer Set Dichtungen f.Spültischbatterie Set joints mitigeur évier	ZZ943640

NR.	DESCRIZIONE DESCRIPTION BESCHREIBUNG DESCRIPTION	N.CODICE CODE NO. WERSKNR. NR.CODE
11	Racc.valv.monoc.lavel. Valve's connection for single lever sink mix Anschluss Ventil f.Spültischbatterie Raccord clapet mitigeur évier	ZZ943660
12	Flessibile 150cm Ø14 1/2"cn x M15x1 Flex 150 cm Ø14 1/2"CN x M15x1 Braueschlauch 150 cm Ø14 x M15x1 Flex 150 cm Ø14 1/2"cn x M15x1	ZZ927740
13	Flessibile M.11x1 3/8" L.365 Flex M.11x1 3/8" L.365 Anschlusschlauch M.11x1 3/8" L.365 Flex M.11x1 3/8" L.365	ZZ928420
14	Peso piombo completo Lead weight Bleigewicht kpl Poids en plomb	ZZ927750
15	Supporto doccia batteria bordo vasca "BA" Deck-mounted handshower support "BA" Brausehalter "BA" Support douche "BA"	ZZ934020
16	Capp.suppl.doccia monoc.lavel. Escutcheon shower Abdeckkappe Rosace douche	ZZ943700
17	Doccia estr.monoc.lavel. Handspray Herausziehbare Brause Douchette extr.évier	ZZ943710

LL004570

<https://es.cisal.it/fregadero-monomando-ducha-extraible-kitchen-ll004570>

2024-12-22