

Bidé TR_TR000560

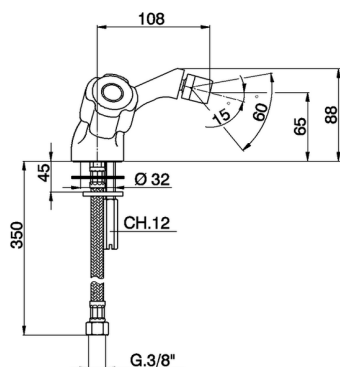
MODELO **TR000560**

Bidé, sin desagüe automático, latiguillos acero G.3/8", sin manetas

ACABADOS DISPONIBLES



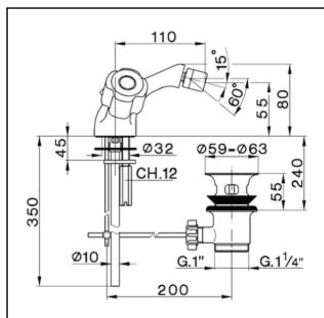
CARACTERÍSTICAS



Bidé TR_TR000560

cisal

TR 00055 (TR 00056)

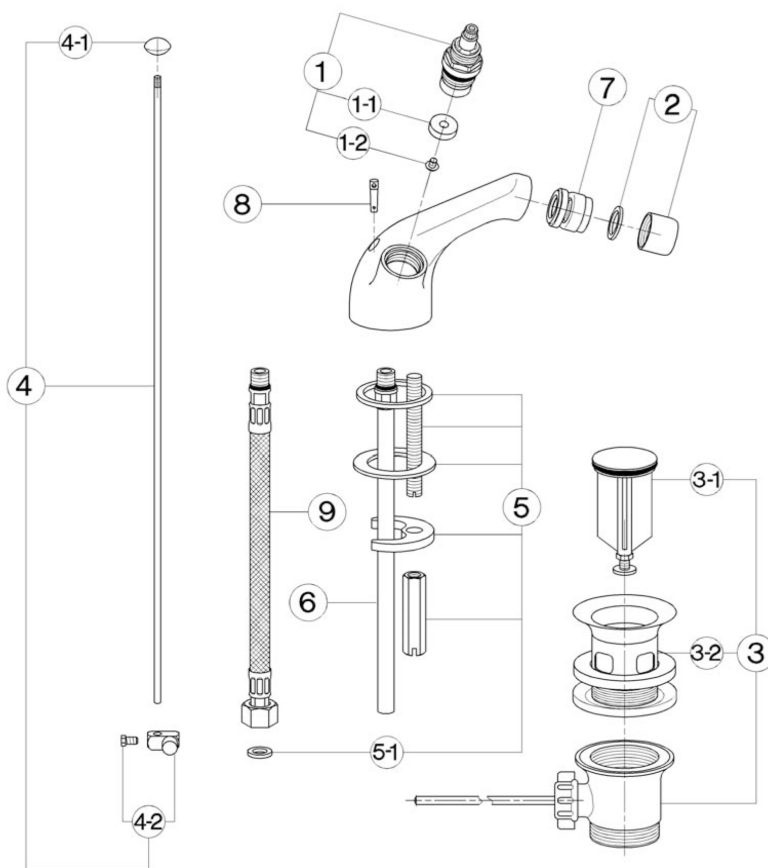


- Monoforo bidet
- Single hole bidet mixer
- Bidet-Einlochbatterie
- Mélangeur monotrou bidet

bar	PORTATA BOCCA DI EROGAZIONE * SPOUT FLOW RATE DURCHFLOSS WANNENEINLAUF DÉBIT BEC DÉVERSEUR l/min.
0.5	6.5
1	8.5
2	12.5
3	15
4	17
5	19

* con rompigetto
with antispash
mit Strahlregler
avec brise-jet

NR.	DESCRIZIONE DESCRIPTION BESCHREIBUNG DESCRIPTION	N. CODICE CODE NO. WERKSNR. NR. CODE
1	Vitone 1/2" "TR" Headvalve 1/2" "TR" Oberteile 1/2" "TR" Tête 1/2" "TR"	ZZ 92869 0
1-1	Guarnizione NBR 90 SH. 16.9x5.5x5 Gasket NBR 90 SH. 16.9x5.5x5 Dichtung NBR 90 SH. 16.9x5.5x5 Joint NBR 90 SH. 16.9x5.5x5	ZZ 92699 0
1-2	Vite M.4x4.5 tb. Ø8 t.cr. Screw M.4x4.5 Schraube M.4x4.5 Vis M.4x4.5	ZZ 92625 0
2	Rompigetto M.22x1 Antispash M.22x1 Strahlregler M.22x1 Brise-jet M.22x1	ZZ 92771 0
3	Scarico automatico 1" sabbatiato Pop-up waste 1" Ablaufgarnitur 1" Vidage automat. 1"	ZZ 92738 0
3-1	Tappo completo scarico automatico 1" Plug-pop up 1" Stopten f/Ablaufg.kpl 1" Bonde - vidage 1"	ZZ 92938 0



NR.	DESCRIZIONE DESCRIPTION BESCHREIBUNG DESCRIPTION	N. CODICE CODE NO. WERKSNR. NR. CODE
3	Scarico automatico 1" 1/4 sabbatiato Pop-up waste 1" 1/4 Ablaufgarnitur 1" 1/4 Vidage automat. 1" 1/4	ZZ 92960 0
3-1	Tappo completo scarico automatico 1" 1/4 Plug for pop-up waste 1" 1/4 Stopten f/Ablaufg. kpl 1" 1/4 Bonde - vidage 1" 1/4	ZZ 92925 0
3-2	Piletta per scarico automatico 1" 1/4 Waste for bath drain 1" 1/4 Ablauf f/Ablaufgarnitur 1" 1/4 Crépine pour vidage 1" 1/4	ZZ 92924 0
4	Astina scarico completa Ø4 Rod Ø4 Zugstange Ø4 Tige Ø4	ZZ 90722 0
4-1	Pomolo per scarico automatico Knob for pop-up rod Zugknopf Ablaufgarn. Pommeau - tige	ZZ 92644 0
4-2	Morsetto astina scarico automatico Ø6,2 Connection for pop-up rod Ø6.2 Gelenkstueck f/Zugstange Ø6.2 Jonction x tige vidage Ø6.2	ZZ 92622 0

NR.	DESCRIZIONE DESCRIPTION BESCHREIBUNG DESCRIPTION	N. CODICE CODE NO. WERKSNR. NR. CODE
5	Set installazione monocomando monoforo Installation set single hole Befestigungsset Set installation	ZZ 92851 0
5-1	Guarnizione fibra 3/8" Gasket rubber 3/8" Fiberdichtung 3/8" Joint en fibre 3/8"	ZZ 92696 0
6	Tubetto monoforo "SU" con O.R. Tube with O.R. "SU" Anschlussrohr mit O.R. "SU" Tube "SU" avec O.R.	ZZ 92838 0
7	Snodo per bidet 24/22 Joint for bidet spout 24/22 Gelenkstueck f/Bidet 24/22 Rotule pour bidet 24/22	ZZ 92776 0
8	Tappino portacatenella Plug for chain Stopten f/Kettenhalter Bonde pour chaînette	ZZ 92717 0
9	Flessibile M.11x1 3/8" F L.365 Flex M.11x1 3/8" L.365 Anschluss Schlauch M.11x1 3/8" L.365 Flex M.11x1 3/8" L.365	ZZ 92842 0

TR000560_{TR.11}

<https://es.cisal.it/bide-tr-tr000560>

2025-01-03