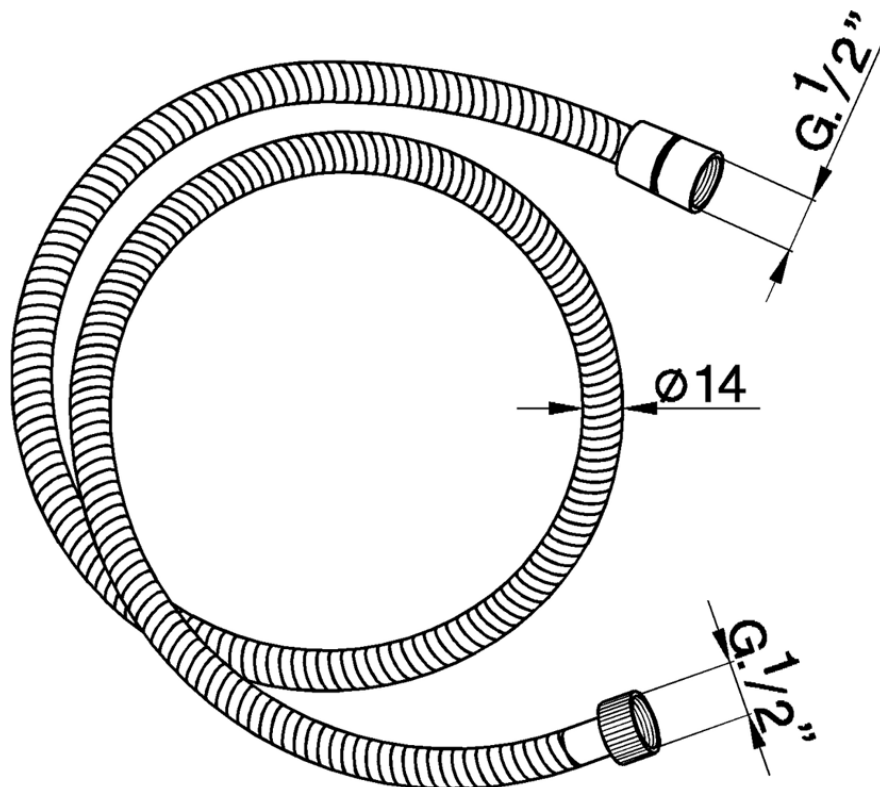


## Flexible SHOWER\_ZA009010



ZA009010

<https://es.cisal.it/flexible-shower-za009010>

2026-05-02