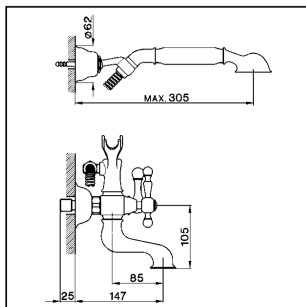


Bañera con duplex ARCANIA AMERICA_AA000120

cisal

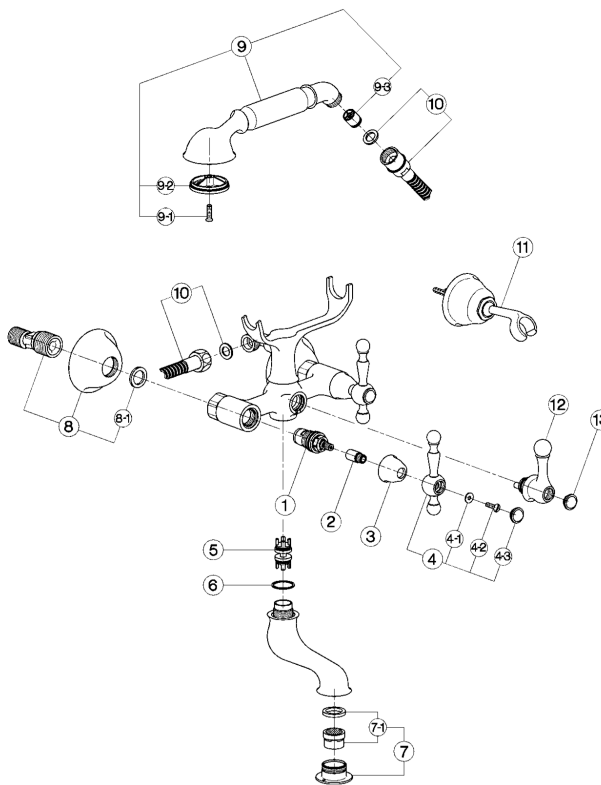
AA 00012 (AA 00013)



- Gruppo vasca
- Bath mixer
- Badebatterie
- Mélangeur bain/douche

bar	PORTATA BOCCA DI EROGAZIONE * SPOUT FLOW RATE DURCHFLOSS WANNENEINLAUF DÉBIT BEC DÉVERSEUR l/min.
0,5	11
1	15,5
2	22,5
3	27,5
4	31,5
5	35

* con resistenza silenziosa della classe di portata C (30 l/min. a 3 bar)
with hydraulic resistance of flow rate class C (30 l/min. at 3 bar)
mit geräuscharmen Widerstand der Durchflussklasse C (30 l/min. bei 3 bar)
avec aérateur classe C (30 l/min. à 3 bar)



NR.	DESCRIZIONE DESCRIPTION BESCHREIBUNG DESCRIPTION	N. CODICE CODE NO. WERKSNR. NR. CODE	NR.	DESCRIZIONE DESCRIPTION BESCHREIBUNG DESCRIPTION	N. CODICE CODE NO. WERKSNR. NR. CODE	NR.	DESCRIZIONE DESCRIPTION BESCHREIBUNG DESCRIPTION	N. CODICE CODE NO. WERKSNR. NR. CODE
1	Vitone ceramico 1/2" DX 90° Ceramic headvalve 1/2" right 90° Keramikoberteil 1/2" - rechts - 90° Tête céram. 1/2" droite 90°	ZZ 92907 0	6	Guarnizione fibra 26x22,5x1 Gasket rubber 26x22,5x1 Fiberdichtung 26x22,5x1 Joint en fibre 26x22,5x1	ZZ 92692 0	9-3	Valvola anti-ritorno Ø15 per doccia Back-flow valve Ø15 Durchflussverhinderer Ø15 Clapet anti-retour Ø15	ZZ 92956 0
1	Vitone ceramico 1/2" SX 90° Ceramic headvalve 1/2" left 90° Keramikoberteil 1/2" - links - 90° Tête céram. 1/2" gauche 90°	ZZ 92906 0	7	Bordino con aereatore M. 28x1 "AR" Overfill with mousser M.28x1 "AR" Perlator M.28x1 "AR" Garniture avec mousser M.28x1 "AR"	ZZ 92784 0	10	Flessibile 150 cm Ø14 1/2"x1/2" DA conico Flex 150 cm Ø14 1/2"x1/2" conic Brauseschlauch 150 cm Ø14 1/2"x1/2" Flex 150 cm Ø14 1/2"x1/2"	ZA 00901 0
2	Prolunga asta vitone monofonni "AA" Extension for headvalve "AA" Verlängerung 1/Einlochbatterie "AA" Prolonge levier "AA"	ZZ 92671 0	7-1	Cartuccia per aereatore M. 28x1 Mousseur cartridge M.28x1 Kart. 1/Perlator M.28x1 Cartouche x mousser M.28x1	ZZ 92694 0	11	Supporto duplex esterno "AR" Hook handshower "AR" Wandhalter 1 "AR" Support mural "AR"	ZZ 90082 0
3	Cappuccio coprivitone Ø32 H.21 "AC" Escutcheon Ø32 H.21 "AC" headvalve Abdeckkappe Ø32 H.21 "AC" Rosace couvre-tête Ø32 H.21 "AC"	ZZ 92652 0	8	Eccentrico con rosone "AC" Eccentric connection with escutcheon "AC" S - Anschluss m. Rosette "AC" Excentrique + rosace "AC"	ZZ 92826 0	12	Deviatore per gruppo vasca "AR" Diverter for bath mixer "AR" Umsteller - WB - "AR" Croisillon inverseur "AR"	ZZ 90257 0
4	Leva "AA" con vite e placchetta Lever with screw and plate "AA" Hebel "AA" mit Schraube und Abdeckkappe Levier "AA" avec vis et plaque	ZZ 92974 0	8-1	Guarnizione NBR 90 SH. 24x16x2,7 Gasket NBR 90 SH. 24x16x2,7 Dichtung NBR 90 SH. 24x16x2,7 Joint NBR 90 SH. 24x16x2,7	ZZ 92689 0	13	Placchetta a vite maniglia "AR" Cap for handle "AR" Abdeckkappe "AR" GnlH Plaque cache - vis crois. "AR"	ZZ 92617 0
4-1	Rondella ottone 12x4,3x1 Ring in brass 12x4,3x1 Unterlegscheibe 12x4,3x1 Joint laiton 12x4,3x1	ZZ 92673 0	9	Doccia per gruppo vasca "AR" Handshower "AR" Handbrause-WB "AR" Douchette "AR"	ZZ 90078 0			
4-2	Vite M.4x20 to. tc. zigrinata Screw M.4x20 Schraube M.4x20 Vis M.4x20	ZZ 92650 0	9-1	Vite di fissaggio diffusore per doccia in ottone Fixing screw for spray-kit handshower Befestigungsschraube 1. Einsatz 1.8e in Messing Vis fixation diffuseur pour douchette en laiton	ZZ 92640 0			
4-3	Placchetta a vite maniglia "AR" Cap for handle "AR" Abdeckkappe "AR" GnlH Plaque cache - vis crois. "AR"	ZZ 92617 0	9-1	Vite di fissaggio diffusore per doccia in ABS Fixing screw for spray-kit ABS handshower Befestigungsschraube 1. Einsatz 1.8e in ABS Vis de fixation diffuseur pour douchette en ABS	ZZ 93401 0			
5	Valvola deviazione per gruppo vasca Diverter valve for bath mixer Umstellungsventil Tête pour inverseur	ZZ 92779 0	9-2	Diffusore doccia "AR" Spray-kit handshower "AR" Einsatz 1.8e in ABS Diffuseur douchette "AR"	ZZ 90544 0			

AA.1

AA000120

<https://es.cisal.it/banera-con-duplex-arcana-america-aa000120>

2024-12-04