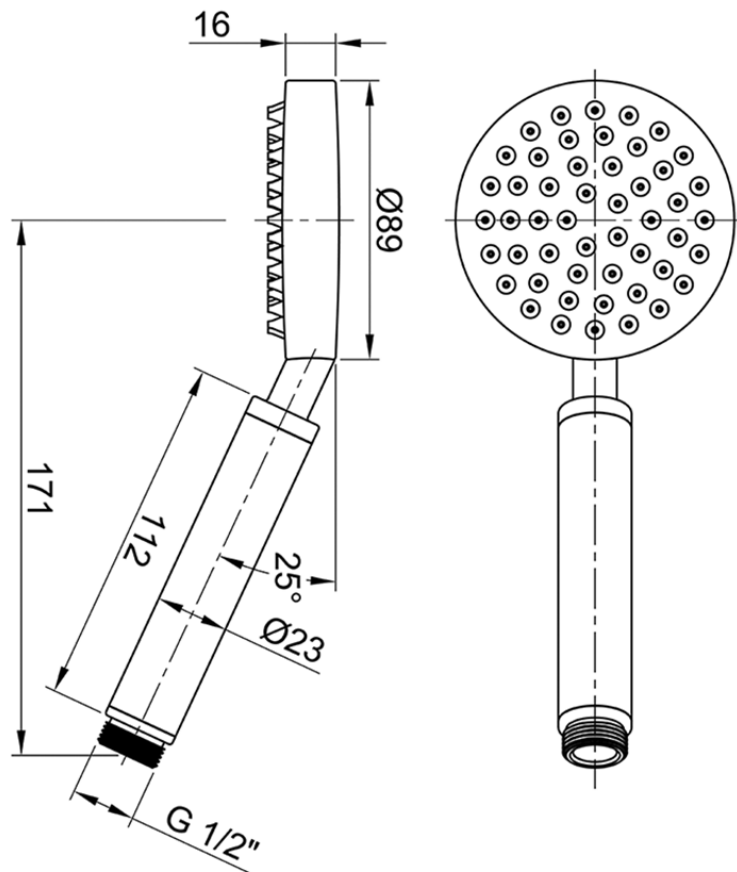


Duchita XION_DS014510



DS014510

<https://es.cisal.it/duchita-xion-ds014510>

2025-01-15