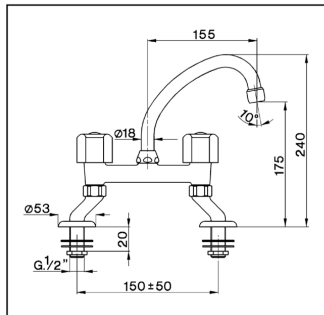


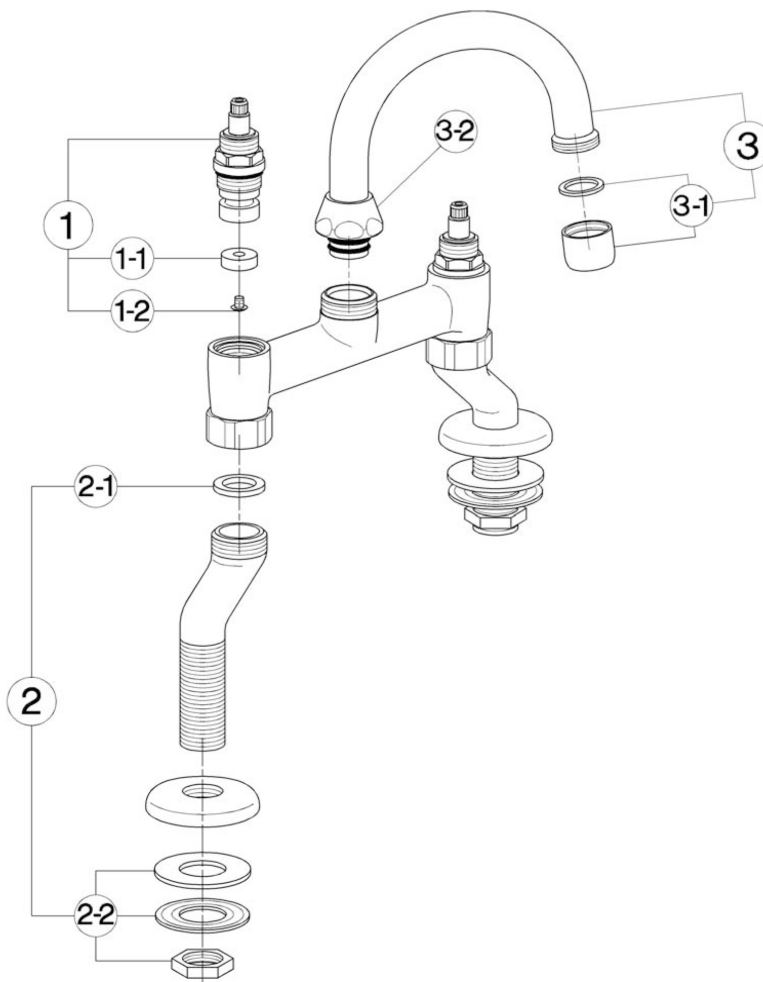
## Lavabo 2 agujeros TR\_TR000720

**cisal**

**TR 00072**



- Gruppo universale verticale
- Deck-mounted basin mixer
- Stand-Waschtischbatterie
- Mélangeur évier sur gorge



bar	PORTATA BOCCA DI EROGAZIONE * SPOUT FLOW RATE DURCHFLOSS WANNENEINLAUF DÉBIT BEC DÉVERSEUR l/min.
0.1	17.5
0.2	25.5
0.3	34.5
0.4	41
0.5	46
1	70

\* con rompigetto  
with antispash  
mit Strahlregler  
avec brise-jet

NR.	DESCRIZIONE DESCRIPTION BESCHREIBUNG DESCRIPTION	N. CODICE CODE NO. WERKSNR. NR. CODE	NR.	DESCRIZIONE DESCRIPTION BESCHREIBUNG DESCRIPTION	N. CODICE CODE NO. WERKSNR. NR. CODE	NR.	DESCRIZIONE DESCRIPTION BESCHREIBUNG DESCRIPTION	N. CODICE CODE NO. WERKSNR. NR. CODE
1	Vitone 1/2" "TR" Headvalve 1/2" "TR" Oberteil 1/2" "TR" Tête 1/2" "TR"	ZZ 92869 0	3	Canna alta Ø18 interasse 155 Swinging spout 155 Ø18 Auslauf-Rohr-U-155 Ø18 Bec orientable 155 Ø18	ZZ 92737 0			
1-1	Guarnizione NBR 90 SH. 16,9x5,5x5 Gasket NBR 90 SH. 16,9x5,5x5 Dichtung NBR 90 SH. 16,9x5,5x5 Joint NBR 90 SH. 16,9x5,5x5	ZZ 92699 0	3-1	Rompigetto M.22x1 Antispash M.22x1 Strahlregler M.22x1 Brise-jet M.22x1	ZZ 92771 0			
1-2	Vite M.4x4,5 lb. Ø8 t.cr. Screw M.4x4,5 Schraube M.4x4,5 Vis M.4x4,5	ZZ 92625 0	3-2	Calotta 3/4" es.29 Ø19,5 Nut 3/4" Ø19,5 Mutter 3/4" Ø19,5 Ecrou 3/4" Ø19,5	ZZ 92615 0			
2	Set installazione raccordo verticale Installation set for vertical connection Befestigungsset Stand-Anschluss-Ventil Set installation	ZZ 92992 0						
2-1	Guarnizione NBR 90 SH. 24x16x2,7 Gasket NBR 90 SH. 24x16x2,7 Dichtung NBR 90 SH. 24x16x2,7 Joint NBR 90 SH. 24x16x2,7	ZZ 92689 0						
2-2	Set installazione rubinetto a colonna Installation set deck-mounted tap Befestigungsset Set installation	ZZ 92740 0						

TR000720<sub>TR.13</sub>

<https://es.cisal.it/lavabo-2-agujeros-tr-tr000720>

2026-06-14