

Fregadero TR_TR000600

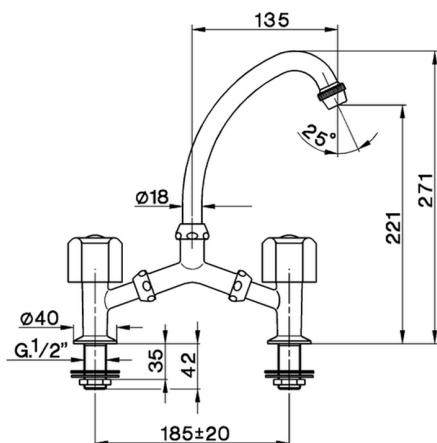
MODELO **TR000600**

Fregadero, sin desagüe automático, sin manetas, caño giratorio

ACABADOS DISPONIBLES



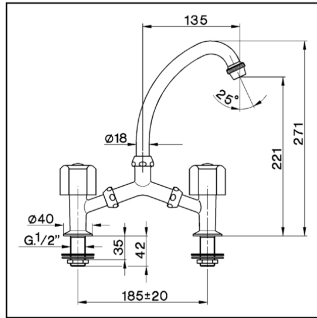
CARACTERÍSTICAS



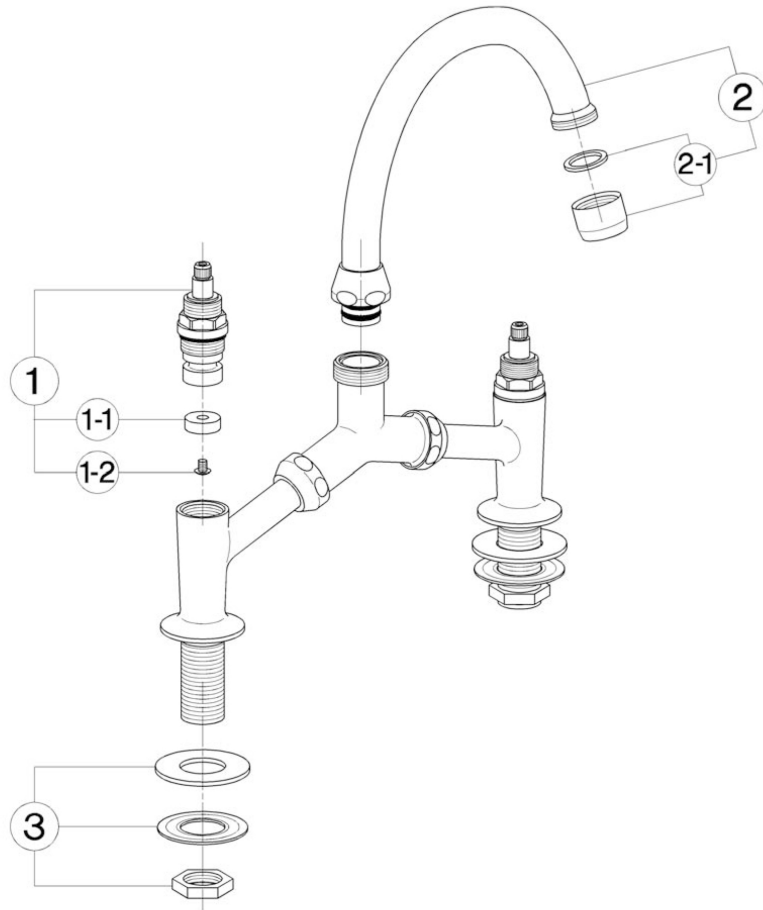
Fregadero TR_TR000600

cisal

TR 00060



- Gruppo a ponte
- Deck-mounted basin mixer
- Stand-Waschtiszbatterie
- Mélangeur évier sur gorge



bar	PORTATA BOCCA DI EROGAZIONE * SPOUT FLOW RATE DURCHFLOSS WÄNNENEINLAUF DEBIT BEC DÉVERSEUR l/min.
0.1	15.5
0.2	25
0.3	32.5
0.4	38.5
0.5	44
1	64

* con rompigetto
with antispash
mit Strahlregler
avec brise-jet

NR.	DESCRIZIONE DESCRIPTION BESCHREIBUNG DESCRIPTION	N. CODICE CODE NO. WERKSNR. NR. CODE	NR.	DESCRIZIONE DESCRIPTION BESCHREIBUNG DESCRIPTION	N. CODICE CODE NO. WERKSNR. NR. CODE	NR.	DESCRIZIONE DESCRIPTION BESCHREIBUNG DESCRIPTION	N. CODICE CODE NO. WERKSNR. NR. CODE
1	Vitone 1/2" "TR" Headvalve 1/2" "TR" Oberteil 1/2" "TR" Tête 1/2" "TR"	ZZ 92869 0						
1-1	Guarnizione NBR 90 SH. 16,9x5,5x5 Gasket NBR 90 SH. 16,9x5,5x5 Dichtung NBR 90 SH. 16,9x5,5x5 Joint NBR 90 SH. 16,9x5,5x5	ZZ 92699 0						
1-2	Vite M.4x4,5 tb. Ø8 l.cr. Screw M.4x4,5 Schraube M.4x4,5 Vis M.4x4,5	ZZ 92625 0						
2	Canna alta Ø18 interasse 135 Swinging spout 135 Ø18 Auslauf-Rohr-schwenkbar-135 Ø18 Bec orientable 135 Ø18	ZZ 92861 0						
2-1	Rompigetto M.22x1 Antispash M.22x1 Strahlregler M.22x1 Brise-jet M.22x1	ZZ 92771 0						
3	Set installazione rubinetto a colonna Installation set deck-mounted tap Befestigungsset Set installation	ZZ 92740 0						

TR000600

<https://es.cisal.it/fregadero-tr-tr000600>

2026-06-14