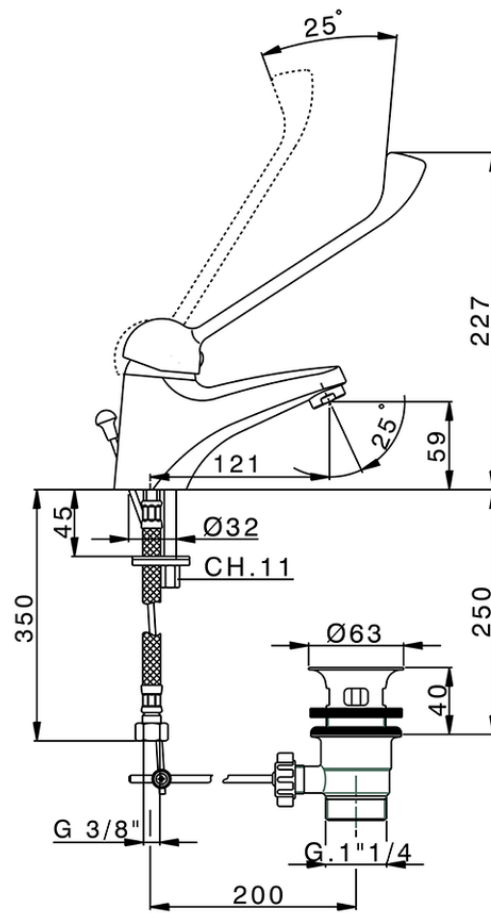


Lavabo monomando CLINIC_ML000510



ML000510

<https://es.cisal.it/lavabo-monomando-clinic-ml000510>

2024-12-22