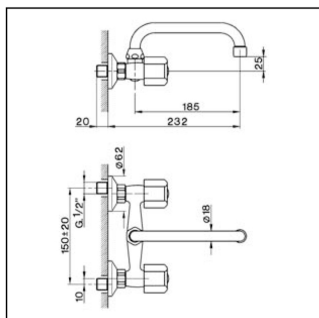


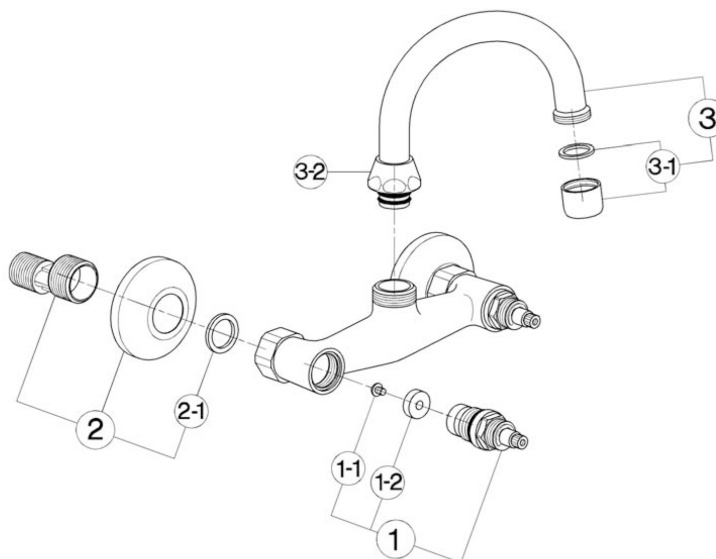
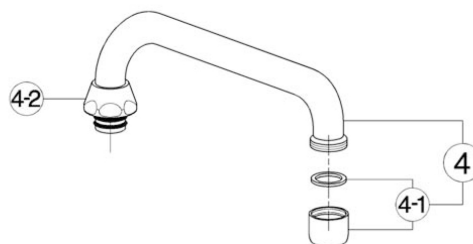
Fregadero de pared TR_TR000410

cisal

TR 00041 (TR 00043)



- Gruppo lavello
- Sink mixer
- Spültisch-Wandbatterie
- Mélangeur évier mural



| bar | PORTATA BOCCA DI EROGAZIONE * SPOUT FLOW RATE DURCHFLOSS WANNENEINLAUF DEBIT BEC DÉVERSEUR l/min. |
|-----|---|
| 0.1 | 20.5 |
| 0.2 | 27.5 |
| 0.3 | 36 |
| 0.4 | 41.5 |
| 0.5 | 46.5 |
| 1 | 66 |

* con rompigetto
with antispash
mit Strahlregler
avec brise-jet

| NR. | DESCRIZIONE DESCRIPTION BESCHREIBUNG DESCRIPTION | N. CODICE CODE NO. WERKSNR. NR. CODE | NR. | DESCRIZIONE DESCRIPTION BESCHREIBUNG DESCRIPTION | N. CODICE CODE NO. WERKSNR. NR. CODE | NR. | DESCRIZIONE DESCRIPTION BESCHREIBUNG DESCRIPTION | N. CODICE CODE NO. WERKSNR. NR. CODE |
|-----|--|---|-----|---|---|-----|---|---|
| 1 | Vitone 1/2" "TR" Headvalve 1/2" "TR" Oberteil 1/2" "TR" Tête 1/2" "TR" | ZZ 92869 0 | 3-1 | Rompigetto M.22x1 Antispash M.22x1 Strahlregler M.22x1 Brise-jet M.22x1 | ZZ 92771 0 | | | |
| 1-1 | Vite M.4x4.5 tb. Ø8 t.cr. Screw M.4x4.5 Schraube M.4x4.5 Vis M.4x4.5 | ZZ 92625 0 | 3-2 | Calotta 3/4" es.29 Ø19.5 Nut 3/4" Ø19.5 Mutter 3/4" Ø19.5 Ecrrou 3/4" Ø19.5 | ZZ 92615 0 | | | |
| 1-2 | Guarnizione NBR 90 SH. 16.9x5.5x5 Gasket NBR 90 SH. 16.9x5.5x5 Dichtung NBR 90 SH. 16.9x5.5x5 Joint NBR 90 SH. 16.9x5.5x5 | ZZ 92699 0 | 4 | Canna a U Ø18 interasse 185 Swinging spout 185 Ø18 Auslauf-Rohr-U-185 Ø18 Bec orientable 185 Ø18 | ZZ 92736 0 | | | |
| 2 | Eccentrico con rosone Excentric connection with escutcheon S - Anschluss m. Rosette Excentrique + rosace | ZZ 92730 0 | | Rompigetto M.22x1 Antispash M.22x1 Strahlregler M.22x1 Brise-jet M.22x1 | ZZ 92771 0 | | | |
| 2-1 | Guarnizione NBR 90 SH. 24x16x2.7 Gasket NBR 90 SH. 24x16x2.7 Dichtung NBR 90 SH. 24x16x2.7 Joint NBR 90 SH. 24x16x2.7 | ZZ 92689 0 | 4-2 | Calotta 3/4" es.29 Ø19.5 Nut 3/4" Ø19.5 Mutter 3/4" Ø19.5 Ecrrou 3/4" Ø19.5 | ZZ 92615 0 | | | |
| 3 | Canna alta Ø18 interasse 155 Swinging spout 155 Ø18 Auslauf-Rohr-U-155 Ø18 Bec orientable 155 Ø18 | ZZ 92737 0 | | | | | | |

TR000410

<https://es.cisal.it/fregadero-de-pared-tr-tr000410>

2024-12-04