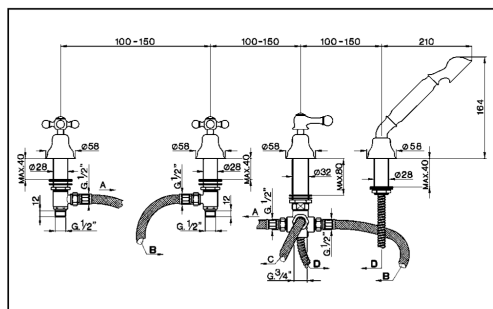


Borde bañera 4 agujeros ARCANA CERAMIC_AC000290

cisal

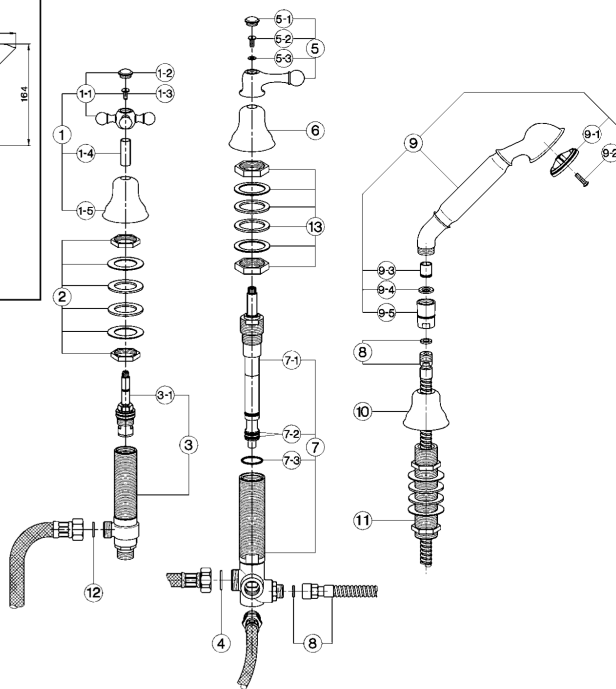
AC 00029



- Batteria bordo vasca a 4 fori
- Deck-mounted 4-hole bath mixer
- Brausebatterie - 4 Loch -
- Mélangeur B/D 4-trous sur gorge

bar	PORTATA * FLOW RATE DURCHFLOSS DEBIT l/min.
0,5	14
1	20
2	29
3	35,5
4	41
5	46,5

* senza resistenza silenziosa (uscita libera)
without hydraulic resistance
ohne Widerstand
sans résistance hydraulique



NR.	DESCRIZIONE DESCRIPTION BESCHREIBUNG DESCRIPTION	N. CODICE CODE NO. WERKSNR. NR. CODE
1	Maniglia con cappuccio "AR" Handle with escutcheon "AR" Griff + Abdeckkappe "AR" Croisillon + rosace "AR"	ZZ 90093 0
1-1	Maniglia "AR" con vite e placchetta Handle with screw and plate "AR" Griff "AR" mit Schraube und Abdeckkappe Croisillon avec vis et plaque "AR"	ZZ 90307 0
1-2	Placchetta a vite maniglia "AR" Cap for handle "AR" Abdeckkappe "AR" Griff Plaque cache - vis crois. "AR"	ZZ 92617 0
1-3	Vite M.4,5x10 tb. tc. zigrinata Screw M.4,5x10 Vis M.4,5x10	ZZ 92609 0
1-4	Tubetto copriasta "AR" H.31 Tube "AR" H.31 Abdeckkappe Oberenteil "AR" H.31 Tube couvre-tête "AR" H.31	ZZ 92620 0
1-5	Cappuccio a campana "AR" Escutcheon "AR" Abdeckkappe "AR" Rosace "AR"	ZZ 92598 0
2	Set installazione batteria lavabo Installation set basin mixer Belegungsset Set installation	ZZ 92756 0
3	Piantana lavabo "AC" (se montata crociera) Tail piece-basin mixer "AC" (mounted conn) Unterteil-WT "AC" (montiert Kreuzstück) Comp lateral "AC" (raccord à crois.)	ZZ 92896 0
3-1	Vitone ceramico DX per batteria "AC" Ceramic headvalve 1/2" right "AC"-long Keramikkoberteil 1/2"-rechts-"AC"-lang Tête céramique 1/2" droite "AC"-longue	ZZ 92859 0
4	Guarnizione NBR 90 SH. 24x16x2,7 Gasket NBR 90 SH. 24x16x2,7 Dichtung NBR 90 SH. 24x16x2,7 Joint NBR 90 SH. 24x16x2,7	ZZ 92689 0
5	Deviatore centrale incasso "AR" Diverter concealed "AR" Griff fuer UP - umst. "AR" Croisillon inverseur "AR"	ZZ 90087 0

NR.	DESCRIZIONE DESCRIPTION BESCHREIBUNG DESCRIPTION	N. CODICE CODE NO. WERKSNR. NR. CODE
5-1	Placchetta a vite maniglia "AR" Cap for handle "AR" Abdeckkappe "AR" Griff Plaque cache - vis crois. "AR"	ZZ 92617 0
5-2	Vite M.4,5x10 tb. tc. zigrinata Screw M.4,5x10 Schraube M.4,5x10 Vis M.4,5x10	ZZ 92609 0
5-3	Rondella ottone 10x4,5x0,8 Ring in brass 10x4,5x0,8 Unterlegscheibe 10x4,5x0,8 Joint laiton 10x4,5x0,8	ZZ 92663 0
6	Cappuccio per deviatore batteria vasca "AR" Escutcheon for diverter "AR" Abdeckkappe "AR" Rosace inverseur "AR"	ZZ 92953 0
7	Gruppo deviazione batteria bordo vasca "AR" Diverter for bath mixer "AR" Umsteller f/Wannenbatterie "AR" Inverseur - B/D "AR"	ZZ 92758 0
7-1	Vitone deviazione batteria vasca "AR" Umstelloberteil "AR" Tête pour inverseur "AR"	ZZ 90248 0
7-2	O.R. 11 NBR 75 SH. O.R. 11 NBR 75 SH. O.R. 11 NBR 75 SH. O.R. 11 NBR 75 SH.	ZZ 92690 0
7-3	Guarnizione fibra 27x24x1 Gasket rubber 27x24x1 Fiberdichtung 27x24x1 Joint en fibre rouge 27x24x1	ZZ 92687 0
8	Flessibile 175 cm Ø14 3/8" x M.15x1 Flex 175 cm Ø14 3/8" M.15x1 Brauseschlauch 175 cm Ø14 3/8" x M.15x1 Flex 175 cm Ø14 3/8" x M.15x1	ZZ 92757 0
9	Doccia per batteria vasca "AR" Handshower for bath mixer "AR" Handbrause-WB "AR" Douchette "AR" sur gorge Diffusor doccia "AR"	ZZ 90336 0
9-1	Spray-kit handshower "AR" Einsatz f/Brause "AR" Diffusor douchette "AR"	ZZ 90544 0

NR.	DESCRIZIONE DESCRIPTION BESCHREIBUNG DESCRIPTION	N. CODICE CODE NO. WERKSNR. NR. CODE
9-2	Vite di fissaggio diffusore per doccia in ottone Fixing screw for spray-kit handshower Belegungsschraube f.Einsatz f.Br in Messing Vis fixation diffuseur pour douche en laiton	ZZ 92640 0
9-2	Vite di fissaggio diffusore per doccia in ABS Fixing screw for spray-kit ABS handshower Belegungsschraube f. Einsatz f.Brause in ABS Vis de fixation diffuseur pour douchette en ABS	ZZ 93401 0
9-3	Valvola anti-riflusso Ø15 per doccia Back-flow valve Ø15 Durchflussverhinderer Ø15 Clapet anti-retour Ø15	ZZ 92956 0
9-4	Guarnizione fibra 18,5x11x2 Gasket rubber 18,5x11x2 Fiberdichtung 18,5x11x2 Joint en fibre 18,5x11x2	ZZ 92714 0
9-5	Raccordo conico doccia batteria vasca "AR" Connection for shower "AR" Anschluss "AR" Raccord douche s/gorge "AR"	ZZ 90337 0
10	Cappuccio supporto doccia bordo vasca "AR" Escutcheon shower "AR" Abdeckkappe "AR" Rosace douche "AR"	ZZ 92599 0
11	Supporto doccia batteria bordo vasca "AR" Deck-mounted handshower support "AR" Brausehalter "AR" Support douche "AR"	ZZ 90104 0
12	Guarnizione fibra 18,5x11x2 Gasket rubber 18,5x11x2 Fiberdichtung 18,5x11x2 Joint en fibre 18,5x11x2	ZZ 92714 0
13	Set installazione deviatore batteria vasca Installation set Belegungsset f/Umsteller Wannenrandmtg Set installation inverseur B/D	ZZ 92797 0

AC.3

AC000290

<https://es.cisal.it/borde-banera-4-agujeros-arcana-ceramic-ac000290>

2026-05-04