

## Grifo de un sólo agua de pared ARCANA CERAMIC\_AC001440

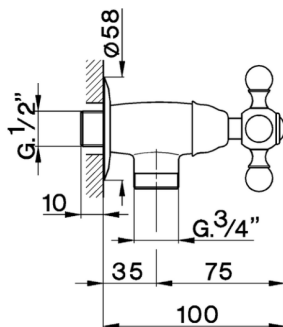
MODELO **AC001440**

Grifo de un sólo agua de pared

ACABADOS DISPONIBLES

 **21** 21 Cromo

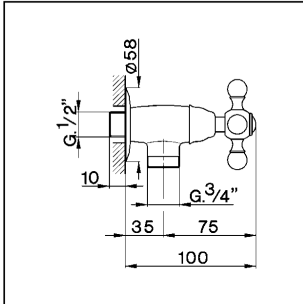
CARACTERÍSTICAS



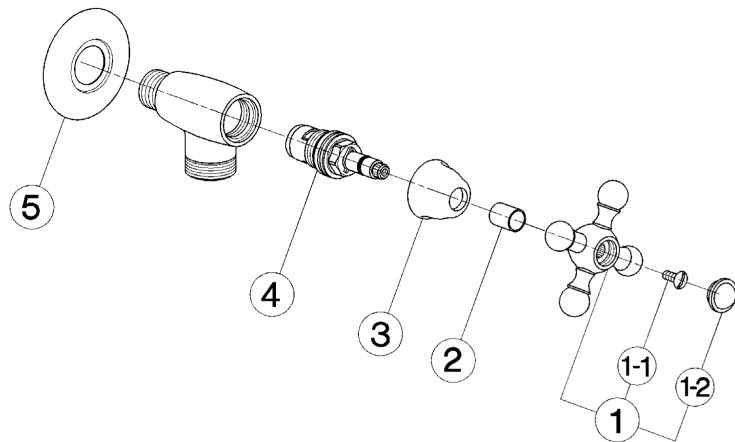
## Grifo de un sólo agua de pared ARCANA CERAMIC\_AC001440

**cisal**

**AC 00144**



- Rubinetto a parete
- Simple tap
- Spültisch Auslaufventil
- Robinet simple



bar	PORTATA * FLOW RATE DURCHFLOSS DEBIT l/min.
0.1	6
0.3	11.5
0.5	15
3	21
4	30
5	36.5

\* senza resistenza silenziosa (uscita libera)  
without hydraulic resistance  
ohne Widerstand  
sans résistance hydraulique

NR.	DESCRIZIONE DESCRIPTION BESCHREIBUNG DESCRIPTION	N. CODICE CODE NO. WERKSNR. NR. CODE	NR.	DESCRIZIONE DESCRIPTION BESCHREIBUNG DESCRIPTION	N. CODICE CODE NO. WERKSNR. NR. CODE	NR.	DESCRIZIONE DESCRIPTION BESCHREIBUNG DESCRIPTION	N. CODICE CODE NO. WERKSNR. NR. CODE
1	Maniglia "AR" con vite e placchetta Handle with screw and plate "AR" Griff "AR" mit Schraube und Abdeckklappe Croisillon avec vis et plaquette "AR"	ZZ 90307 0	5	Rosone rubinetto rovesciato Escutcheon simple tap Rosette Rosace en inox	ZZ 92605 0			
1-1	Vite M 4,5x10 lb. tc. zigrinata Screw M 4,5x10 Schraube M 4,5x10 Vis M 4,5x10	ZZ 92609 0						
1-2	Placchetta a vite maniglia "AR" Cap for handle "AR" Abdeckklappe "AR" Griff Plaquette cache - vis crois. "AR"	ZZ 92617 0						
2	Tubetto copriasta "AR" H.15,5 Sliding cover tube "AR" H.15,5 Abdeckklappe Oberteil "AR" H.15,5 Tube couvre-tête "AR" H.15,5	ZZ 92619 0						
3	Cappuccio coprivitone Ø32 H.21 "AC" Escutcheon Ø32 H.21 "AC" headvalve Abdeckklappe Ø32 H.21 "AC" Rosace couvre-tête Ø32 H.21 "AC"	ZZ 92652 0						
4	Vitone ceramico DX per monofori e gruppi "AC" Ceramic headvalve 1/2" right "AC" - short Keramikoberteil 1/2"-rechts "AC" - kurz Tête céramique 1/2" droite "AC" - courte	ZZ 92858 0						

AC.15

AC001440

<https://es.cisal.it/grifo-de-un-solo-agua-de-pared-arcana-ceramic-ac001440>

2026-06-18