

Bidé 3 agujeros ARCANA CERAMIC_AC001220

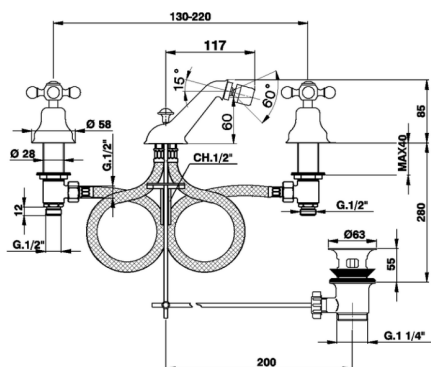
MODELO **AC001220**

Bidé 3 agujeros, con desagüe automático
1"1/4, latiguillos acero 1/2" F



ACABADOS DISPONIBLES

-  **21** 21 Cromo
-  **24** 24 Oro
-  **26** 26 Cobre Viejo
-  **27** 27 Bronce Viejo
-  **2A** 2A Niquel Satinado Cepillado
-  **74** 74 Cromo/Oro



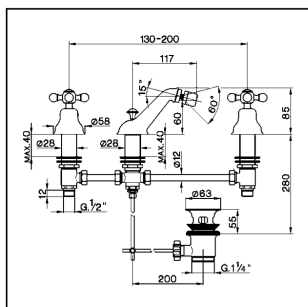
CARACTERÍSTICAS



Bidé 3 agujeros ARCANA CERAMIC_AC001220

cisal

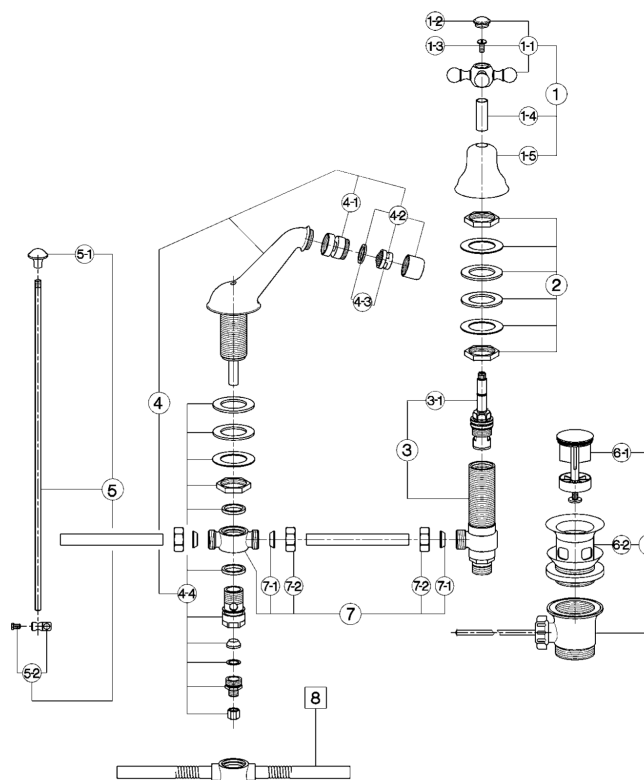
AC 00122



- Batteria bidet
- Bidet mixer
- Bidetbatterie - 3 Loch -
- Mélangeur bidet

bar	PORTATA BOCCA DI EROGAZIONE * SPOUT FLOW RATE DURCHFLOSS WANNENEINLAUF DEBIT BEC DEVERSEUR l/min.
0,5	6
1	8,5
2	12
3	15
4	17
5	19

* con resistenza silenziosa della classe di portata A (15 l/min. a 3 bar)
with hydraulic resistance of flow rate class A (15 l/min. at 3 bar)
mit geräuscharmen Widerstand der Durchflussklasse A (15 l/min. bei 3 bar)
avec aérateur classe A (15 l/min. à 3 bar)



NR.	DESCRIZIONE DESCRIPTION BESCHREIBUNG DESCRIPTION	N. CODICE CODE NO. WERKSNR. NR. CODE	NR.	DESCRIZIONE DESCRIPTION BESCHREIBUNG DESCRIPTION	N. CODICE CODE NO. WERKSNR. NR. CODE	NR.	DESCRIZIONE DESCRIPTION BESCHREIBUNG DESCRIPTION	N. CODICE CODE NO. WERKSNR. NR. CODE
1	Maniglia con cappuccio "AR" Handle with escutcheon "AR" Griff + Abdeckkappe "AR" Croiillon + rosace "AR"	ZZ 90093 0	3-1	Vitone ceramico DX per batterie "AC" Ceramic headvalve 1/2" right "AC"-long Keramikoberteil 1/2"-rechts-"AC"-lang Tête céramique 1/2" droite "AC" - longue	ZZ 92859 0	5-2	Morsetto astina scarico automatico Ø6,2 Connection for pop-up rod Ø6,2 Gelenkstück 1/2"Zugstange Ø6,2 Jonction x tige vidage Ø6,2	ZZ 92622 0
1-1	Maniglia "AR" con vite e placchetta Handle with screw and plate "AR" Griff "AR" mit Schraube und Abdeckkappe Croiillon avec vis et plaque "AR"	ZZ 90307 0	4	Bocca bidet "AR" (se montata crociera 7) Spout bidet mixer "AR"(connection 7) Auslauf 1/Bidet "AR" (montiert Kreuzstück 7) Bec bidet "AR" (raccord à croix 7)	ZZ 92374 0	6	Scarico automatico 1" 1/4 sabbato Pop-up waste 1" 1/4 Ablaugarnitur 1" 1/4 Vidage automat. 1" 1/4	ZZ 92754 0
1-2	Placchetta a vite maniglia "AR" Cap for handle "AR" Abdeckkappe "AR" Griff Plaque cache - vis croix. "AR"	ZZ 92617 0	4	Bocca bidet "AR" (se montata crociera 8) Spout bidet mixer "AR" (connection 8) Auslauf 1/Bidet "AR" (montiert Kreuzstück 8) Bec bidet "AR" (raccord à croix 8)	ZZ 90138 0	6-1	Taplo completo scarico automatico 1" 1/4 Plug for pop-up waste 1" 1/4 Stöplfen 1/Ablaug. Kpl 1" 1/4 Bonde - vidage 1" 1/4	ZZ 92925 0
1-3	Vite M.4,5x10 lb. tc. zigrinata Screw M.4,5x10 Schraube M.4,5x10 Vis M.4,5x10	ZZ 92609 0	4-1	Snodo per bidet M.22x1 Joint for bidet M.22x1 Gelenkstück 1/Bidet M.22x1 Rouille pour bidet M.22x1	ZZ 92780 0	6-2	Piletta per scarico automatico 1" 1/4 Waste for bath drain 1" 1/4 Ablauf 1/Ablaugarnitur 1" 1/4 Crépine pour vidage 1" 1/4	ZZ 92924 0
1-4	Tubetto copriasta "AR" H.31 Tube "AR" H.31 Abdeckkappe Oberenteil "AR" H.31 Tube couvre-tête "AR" H.31	ZZ 92620 0	4-2	Aeratore M.22x1 IA Mousseur M.22x1 IA Perlator M.22x1 IA Mousseur M.22x1 IA	ZZ 92835 0	7	Crociera per batteria lavabo Cross connection for basin mixer Verbindung 1/WT-Badebatterie Raccord a croix lavabo	ZZ 92893 0
1-5	Cappuccio a campana "AR" Escutcheon "AR" Abdeckkappe "AR" Rosace "AR"	ZZ 92598 0	4-3	Cartuccia per aeratore M. 22x1 Mousseur cartridge M.22x1 Kart./Perlator M.22x1 Cartouche x mousseur M.22x1	ZZ 92708 0	7-1	Guarnizione conica NBR 90 SH. 18x11x7,5 Gasket NBR 90 SH. 18x11x7,5 Dichtung NBR 90 SH. 18x11x7,5 Joint conique NBR 90 SH. 18x11x7,5	ZZ 92729 0
2	Set installazione batteria lavabo Installation set basin mixer Belegungsset Set installation	ZZ 92756 0	4-4	Set collegamento crociera batteria lavabo Connection set for basin mixer Verbindungsset Set connection	ZZ 92783 0	7-2	Calotta 1/2" H.10 Ø12,5 Nut 1/2" H.10 Ø12,5 Mutter 1/2" H.10 Ø12,5 Ecrou 1/2" H.10 Ø12,5	ZZ 92628 0
3	Piantana lavabo "AC" (se montata crociera 7) Tail piece-basin mixer "AC" (mounted conn.7) Unterteil-WT "AC" (montiert Kreuzstück 7) Corp lateral "AC" (raccord à croix 7)	ZZ 92896 0	5	Astina scarico completa Ø6 Rod Ø6 Zugstange Ø6 Tige Ø6	ZZ 92760 0	8	Crociera per batteria lavabo (tipo vecchio) Cross connection for basin mixer (old type) Verbindung 1/WT-Badebatterie Raccord à croix lavabo (vieux mod.)	ZZ 92996 0
3	Piantana lavabo "AC" (se montata crociera 8) Tail piece-basin mixer "AC" (mounted conn.8) Unterteil-WT "AC" (montiert Kreuzstück 8) Corp lateral "AC" (raccord à croix 8)	ZZ 92073 0	5-1	Pomolo per scarico automatico "AR" Knob for pop-up rod "AR" Zugknopf 1/Ablaugarn. "AR" Pommeau - tige "AR"	ZZ 92624 0			

AC.14

AC001220

<https://es.cisal.it/bide-3-agujeros-arcana-ceramic-ac001220>

2026-06-18