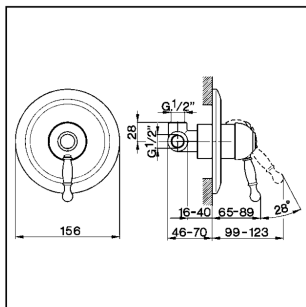


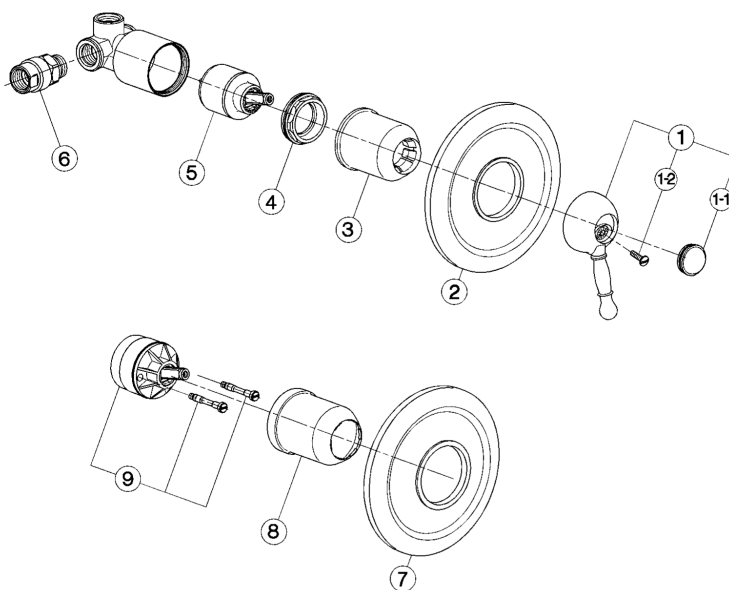
Parte esterna monomando ducha empotrada ARCANA ROYAL_AY003000

cisal

AY 00300 (ZA 00230)



- Monocomando doccia incasso
- Single lever shower mixer
- UP-Brausebatterie 1/2"
- Mitigeur douche encastré



| bar | PORTATA * FLOW RATE DURCHFLOSS DEBIT l/min. |
|-----|---|
| 0.5 | 6 |
| 1 | 9 |
| 2 | 12 |
| 3 | 14.5 |
| 4 | 16.5 |
| 5 | 18.5 |

* con resistenza silenziosa della classe di portata A (15 l/min. a 3 bar)
with hydraulic resistance of flow rate class A (15 l/min. at 3 bar)
mit geräuscharmen Widerstand der Durchflussklasse A (15 l/min. bei 3 bar)
avec aérateur classe A (15 l/min. à 3 bar)

| NR. | DESCRIZIONE DESCRIPTION BESCHREIBUNG DESCRIPTION | N. CODICE CODE NO. WERKSNR. NR. CODE | NR. | DESCRIZIONE DESCRIPTION BESCHREIBUNG DESCRIPTION | N. CODICE CODE NO. WERKSNR. NR. CODE | NR. | DESCRIZIONE DESCRIPTION BESCHREIBUNG DESCRIPTION | N. CODICE CODE NO. WERKSNR. NR. CODE |
|-----|---|---|-----|--|---|-----|---|---|
| 1 | Leva monocomando "AY" Lever "AY" Hebel "AY" Lever "AY" | ZZ 90370 0 | 5 | Cartuccia monocomando piccola Mixing valve - small size Kartusche Cartouche mitigeurs | ZZ 92909 0 | | | |
| 1-1 | Placchetta per leva "AY" Cap for lever "AY" Abdeckkappe 1/Hebel "AY" Plaquette levier "AY" | ZZ 93048 0 | 6 | Ricordo silenzioso per monoc. vasca incasso Silencer for conc. single lever bath mixer Schalldämpfer S-Anschluss Raccord silencieux | ZZ 92890 0 | | | |
| 1-2 | Vite M.4,5x15 tb. tc. Screw M.4,5x15 Schraube M.4,5x15 Vis M.4,5x15 | ZZ 92641 0 | 7 | Plastra monocomando doccia incasso Plate single lever shower mixer Abdeckrossette UP - Brause Plaque - douche à encastrer | ZZ 92805 0 | | | |
| 2 | Plastra monocomando doccia incasso Plate single lever shower mixer Abdeckrossette 1/UP Plaque - douche à encastrer | ZZ 92911 0 | 8 | Copricartuccia monocomando incasso Escutcheon concealed mixer Abdeckkappe 1/UP-EHM Couvere-cartouche mitigeur encastré | ZZ 92705 0 | | | |
| 3 | Copricartuccia monocomando incasso Escutcheon concealed mixer Abdeckkappe 1/UP-EHM Couvere-cartouche mitigeur encastré | ZZ 92720 0 | 9 | Cartuccia monocomando con viti e adattatore Mixing valve Kartusche Cartouche mitigeurs | ZZ 90746 0 | | | |
| 4 | Calotta bloccaggio cartuccia piccola Nut for mixing valve-small Mutter 1/Kartusche Ecrrou pour cartouche | ZZ 92603 0 | | | | | | |

AY.13

AY003000

<https://es.cisal.it/parte-externa-monomando-ducha-empotrada-arcana-royal-ay003000>

Parte empotrada monomando ducha EMPOTRADO_ZA002300

ZA002300

<https://es.cisal.it/parte-empotrada-monomando-ducha-empotrado-za002300>

2026-04-29