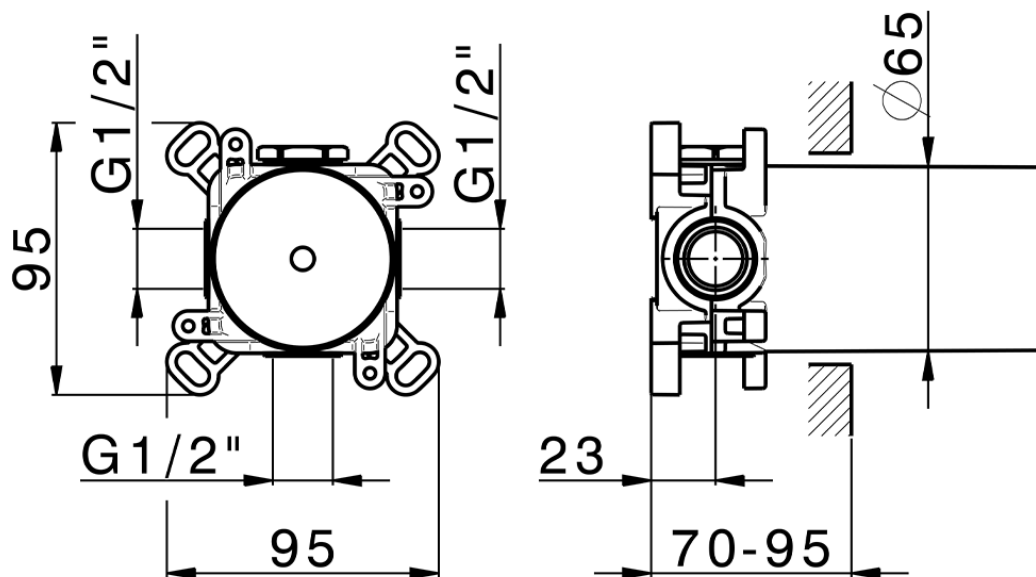


**Parte empotrada Push&Shower PUSH&SHOWER\_ZA0G6000**

ZA0G6000

<https://es.cisal.it/parte-empotrada-pushshower-pushshower-za0g6000>

2026-05-01