






Borde bañera 4 agujeros ARCANA CERAMIC_AC000290

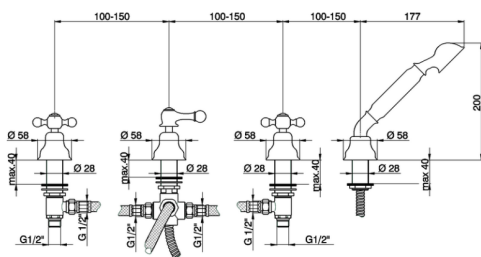
MODELO **AC000290**

Borde bañera 4 agujeros,desviador automático,duchita una función Arcana,flexible de Latón 175 cm



ACABADOS DISPONIBLES

-  **21** 21 Cromo
-  **24** 24 Oro
-  **26** 26 Cobre Viejo
-  **27** 27 Bronce Viejo
-  **74** 74 Cromo/Oro



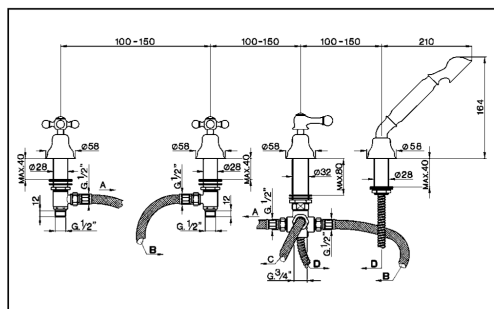
CARACTERÍSTICAS



Borde bañera 4 agujeros ARCANA CERAMIC_AC000290

cisal

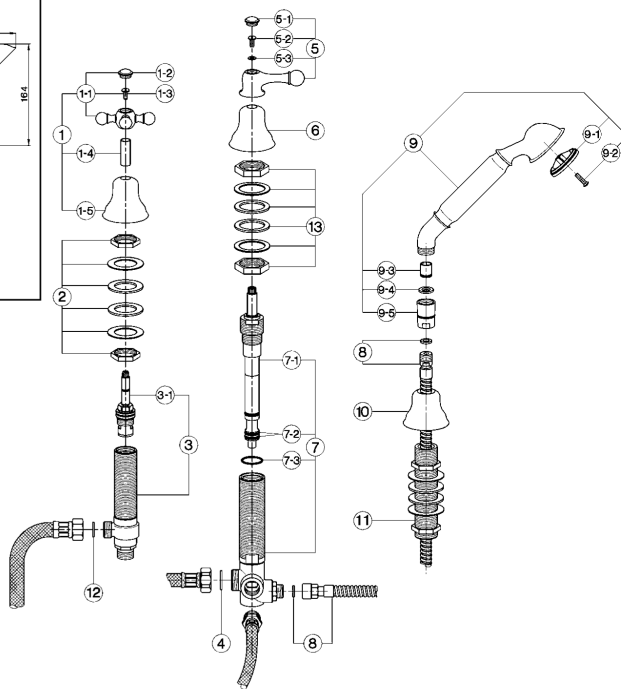
AC 00029



- Batteria bordo vasca a 4 fori
- Deck-mounted 4-hole bath mixer
- Brausebatterie - 4 Loch -
- Mélangeur B/D 4-trous sur gorge

| bar | PORTATA * FLOW RATE DURCHFLOSS DEBIT l/min. |
|-----|---|
| 0,5 | 14 |
| 1 | 20 |
| 2 | 29 |
| 3 | 35,5 |
| 4 | 41 |
| 5 | 46,5 |

* senza resistenza silenziosa (uscita libera)
without hydraulic resistance
ohne Widerstand
sans résistance hydraulique



| NR. | DESCRIZIONE DESCRIPTION BESCHREIBUNG DESCRIPTION | N. CODICE CODE NO. WERKSNR. NR. CODE |
|-----|---|---|
| 1 | Maniglia con cappuccio "AR" Handle with escutcheon "AR" Griff + Abdeckkappe "AR" Croisillon + rosace "AR" | ZZ 90093 0 |
| 1-1 | Maniglia "AR" con vite e placchetta Handle with screw and plate "AR" Griff "AR" mit Schraube und Abdeckkappe Croisillon avec vis et plaque "AR" | ZZ 90307 0 |
| 1-2 | Placchetta a vite maniglia "AR" Cap for handle "AR" Abdeckkappe "AR" Griff Plaque cache - vis crois. "AR" | ZZ 92617 0 |
| 1-3 | Vite M.4,5x10 tb. tc. zigrinata Screw M.4,5x10 Vis M.4,5x10 | ZZ 92609 0 |
| 1-4 | Tubetto copriasta "AR" H.31 Tube "AR" H.31 Abdeckkappe Oberenteil "AR" H.31 Tube couvre-tête "AR" H.31 | ZZ 92620 0 |
| 1-5 | Cappuccio a campana "AR" Escutcheon "AR" Abdeckkappe "AR" Rosace "AR" | ZZ 92598 0 |
| 2 | Set installazione batteria lavabo Installation set basin mixer Belegungsset Set installation | ZZ 92756 0 |
| 3 | Piantana lavabo "AC" (se montata crociera) Tail piece-basin mixer "AC" (mounted conn) Unterteil-WT "AC" (montiert Kreuzstück) Comp lateral "AC" (raccord à crois.) | ZZ 92896 0 |
| 3-1 | Vitona ceramico DX per batteria "AC" Ceramic headvalve 1/2" right "AC"-long Keramikkoberteil 1/2"-rechts-"AC"-lang Tête céramique 1/2" droite "AC"-longue | ZZ 92859 0 |
| 4 | Guarnizione NBR 90 SH. 24x16x2,7 Gasket NBR 90 SH. 24x16x2,7 Dichtung NBR 90 SH. 24x16x2,7 Joint NBR 90 SH. 24x16x2,7 | ZZ 92689 0 |
| 5 | Deviatore centrale incasso "AR" Diverter concealed "AR" Griff fuer UP - umst. "AR" Croisillon inverseur "AR" | ZZ 90087 0 |

| NR. | DESCRIZIONE DESCRIPTION BESCHREIBUNG DESCRIPTION | N. CODICE CODE NO. WERKSNR. NR. CODE |
|-----|---|---|
| 5-1 | Placchetta a vite maniglia "AR" Cap for handle "AR" Abdeckkappe "AR" Griff Plaque cache - vis crois. "AR" | ZZ 92617 0 |
| 5-2 | Vite M.4,5x10 tb. tc. zigrinata Screw M.4,5x10 Schraube M.4,5x10 Vis M.4,5x10 | ZZ 92609 0 |
| 5-3 | Rondella ottone 10x4,5x0,8 Ring in brass 10x4,5x0,8 Unterlegscheibe 10x4,5x0,8 Joint lalton 10x4,5x0,8 | ZZ 92663 0 |
| 6 | Cappuccio per deviatore batteria vasca "AR" Escutcheon for diverter "AR" Abdeckkappe "AR" Rosace inverseur "AR" | ZZ 92953 0 |
| 7 | Gruppo deviazione batteria bordo vasca "AR" Diverter for bath mixer "AR" Umsteller f/Wannenbatterie "AR" Inverseur - B/D "AR" | ZZ 92758 0 |
| 7-1 | Vitone deviazione batteria vasca "AR" Umstelloberteil "AR" Tête pour inverseur "AR" | ZZ 90248 0 |
| 7-2 | O.R. 11 NBR 75 SH. O.R. 11 NBR 75 SH. O.R. 11 NBR 75 SH. O.R. 11 NBR 75 SH. | ZZ 92690 0 |
| 7-3 | Guarnizione fibra 27x24x1 Gasket rubber 27x24x1 Fiberdichtung 27x24x1 Joint en fibre rouge 27x24x1 | ZZ 92687 0 |
| 8 | Flessibile 175 cm Ø14 3/8" x M.15x1 Flex 175 cm Ø14 3/8" x M.15x1 Braueschlauch 175 cm Ø14 3/8" x M.15x1 Flex 175 cm Ø14 3/8" x M.15x1 | ZZ 92757 0 |
| 9 | Doccia per batteria vasca "AR" Handshower for bath mixer "AR" Handbrause-WB "AR" Douchette "AR" sur gorge Diffusor doccia "AR" | ZZ 90336 0 |
| 9-1 | Spray-kit handshower "AR" Einsatz f/Brause "AR" Diffusor douchette "AR" | ZZ 90544 0 |

| NR. | DESCRIZIONE DESCRIPTION BESCHREIBUNG DESCRIPTION | N. CODICE CODE NO. WERKSNR. NR. CODE |
|-----|---|---|
| 9-2 | Vite di fissaggio diffusore per doccia in ottone Fixing screw for spray-kit handshower Belegungsschraube f.Einsatz f.Br in Messing Vis fixation diffuseur pour douchette en lalton | ZZ 92640 0 |
| 9-2 | Vite di fissaggio diffusore per doccia in ABS Fixing screw for spray-kit ABS handshower Belegungsschraube f. Einsatz f.Brause in ABS Vis de fixation diffuseur pour douchette en ABS | ZZ 93401 0 |
| 9-3 | Valvola anti-ritorno Ø15 per doccia Back-flow valve Ø15 Durchflussverhinderer Ø15 Clapet anti-retour Ø15 | ZZ 92956 0 |
| 9-4 | Guarnizione fibra 18,5x11x2 Gasket rubber 18,5x11x2 Fiberdichtung 18,5x11x2 Joint en fibre 18,5x11x2 | ZZ 92714 0 |
| 9-5 | Raccordo conico doccia batteria vasca "AR" Connection for shower "AR" Anschluss "AR" Raccord douche s/gorge "AR" | ZZ 90337 0 |
| 10 | Cappuccio supporto doccia bordo vasca "AR" Escutcheon shower "AR" Abdeckkappe "AR" Rosace douche "AR" | ZZ 92599 0 |
| 11 | Supporto doccia batteria bordo vasca "AR" Deck-mounted handshower support "AR" Brausehalter "AR" Support douche "AR" | ZZ 90104 0 |
| 12 | Guarnizione fibra 18,5x11x2 Gasket rubber 18,5x11x2 Fiberdichtung 18,5x11x2 Joint en fibre 18,5x11x2 | ZZ 92714 0 |
| 13 | Set installazione deviatore batteria vasca Installation set Belegungsset f/Umsteller Wannenrandmtg Set installation inverseur B/D | ZZ 92797 0 |

AC.3

AC000290

<https://es.cisal.it/borde-banera-4-agujeros-arcana-ceramic-ac000290>

2024-12-22