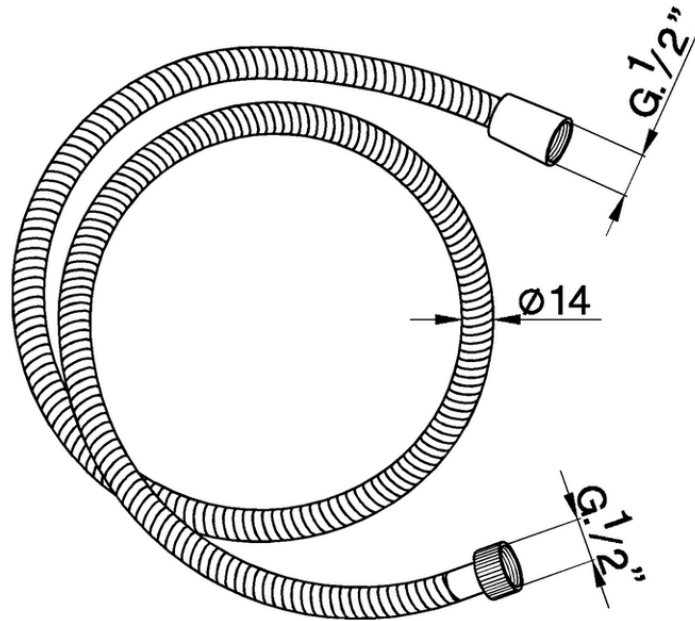


Flexible SHOWER_ZA009020



ZA009020

<https://es.cisal.it/flexible-shower-za009020>

2026-06-16