

Fregadero 2 agujeros KITCHEN_BA000720



MODELO **BA000720**

Fregadero 2 agujeros, sin desagüe automático, caño giratorio

ACABADOS DISPONIBLES

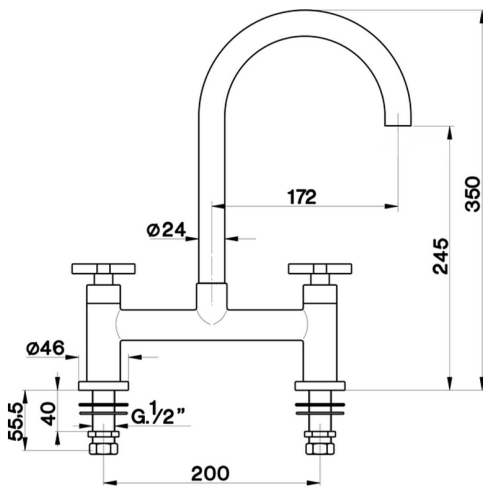


21 21 Cromo



2A 2A Niquel Satinado Cepillado

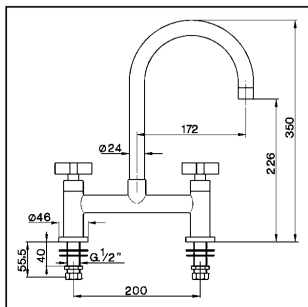
CARACTERÍSTICAS



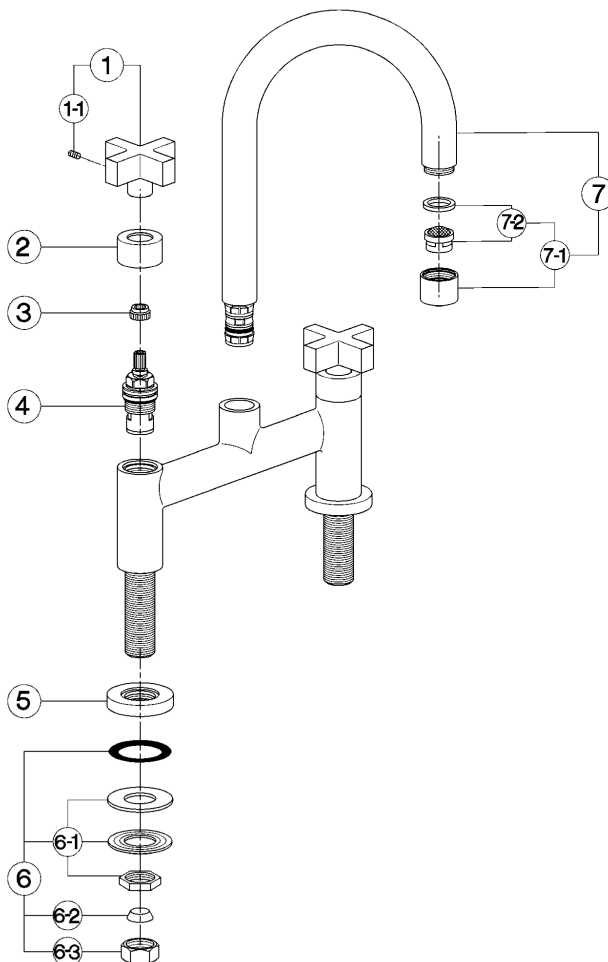
Fregadero 2 agujeros KITCHEN_BA000720

cisal

BA 00072



- Gruppo lavello a ponte
- Deck-mounted sink mixer
- Stand-Spültischbatterie
- Mélangeur évier sur gorge



| bar | PORTATA BOCCA DI EROGAZIONE * SPOUT FLOW RATE DURCHFLOSS WANNENEINLAUF DEBIT BEC DEVERSEUR l/min. |
|-----|---|
| 0.5 | 6 |
| 1 | 8.5 |
| 2 | 12.5 |
| 3 | 15 |
| 4 | 17.5 |
| 5 | 19.5 |

* con resistenza silenziosa della classe di portata A (15 l/min. a 3 bar)
with hydraulic resistance of flow rate class A (15 l/min. at 3 bar)
mit geräuscharmen Widerstand der Durchflussklasse A (15 l/min. bei 3 bar)
avec aérateur classe A (15 l/min. à 3 bar)

| NR. | DESCRIZIONE DESCRIPTION BESCHREIBUNG DESCRIPTION | N. CODICE CODE NO. WERKSNR. NR. CODE | NR. | DESCRIZIONE DESCRIPTION BESCHREIBUNG DESCRIPTION | N. CODICE CODE NO. WERKSNR. NR. CODE | NR. | DESCRIZIONE DESCRIPTION BESCHREIBUNG DESCRIPTION | N. CODICE CODE NO. WERKSNR. NR. CODE |
|-----|---|---|-----|---|---|-----|---|---|
| 1 | Maniglia "BA" per monolori Handle "BA" for single hole mixer Griff "BA" 1/Einloch-Batterien Crosillon "BA" pour mélangeur monolori | ZZ 93289 0 | 6 | Set installazione gruppo a ponte Installation set deck-mounted sink mixer Befestigungsset Set installation | ZZ 93360 0 | 7-2 | Cartuccia per aeratore M. 22x1 Cascade Mousseur cartridge M.22x1 Cascade Kart. 1/Perlator M.22x1 Cascade Cartouche x mousseur M.22x1 Cascade | ZZ 93339 0 |
| 1-1 | Grano punta plana inox M.4x4 Screw-stainless steel M.4x4 Mädenschraube M.4x4 Vis speciale inox M.4x4 | ZZ 93328 0 | 6-1 | Set installazione rubinetto a colonna Installation set deck-mounted tap Befestigungsset Set installation | ZZ 92740 0 | | | |
| 2 | Cappuccio cagnivite "BA" Escutcheon "BA" Abdeckklappe "BA" Rosace couvre-tête "BA" | ZZ 93327 0 | 6-2 | Guarnizione conica NBR 90 SH. 17,8x13,6x6,8 Gasket NBR 90 SH. 17,8x13,6x6,8 Dichtung NBR 90 SH. 17,8x13,6x6,8 Joint conique NBR 90 SH. 17,8x13,6x6,8 | ZZ 92688 0 | | | |
| 3 | Riduzione brocciata completa Complete broached reduction piece Verkürzung Raueinwerkzeug komplett Réduction avec brochage complète | ZZ 93330 0 | 6-3 | Calotta 1/2" H.10 Ø13,5 Nut 1/2" H.10 Ø13,5 Mutter 1/2" H.10 Ø13,5 Ecou 1/2" H.10 Ø13,5 | ZZ 92612 0 | | | |
| 4 | Vitone ceramico 1/2" DX 90° Ceramic headvalve 1/2" right 90° Keramkoberteil 1/2" - rechts - 90° Tête céram. 1/2" droite 90° | ZZ 92907 0 | 7 | Canna alta Ø24 Interasse 172 Swivling spout 172 Ø24 Auslauf-Rohr-U-172 Ø24 Bec orientable 172 Ø24 | ZZ 93285 0 | | | |
| 5 | Rosone per bocca incasso Escutcheon for built-in spout Rosette f. UP Auslauf Rosace pour bec à encastrer | ZZ 93331 0 | 7-1 | Aeratore M.22x1 IA Cascade Mousseur M.22x1 IA Cascade Perlator M.22x1 IA Cascade Mousseur M.22x1 IA Cascade | ZZ 93283 0 | | | |

BA.13

BA000720

<https://es.cisal.it/fregadero-2-agujeros-kitchen-ba000720>

2025-01-15