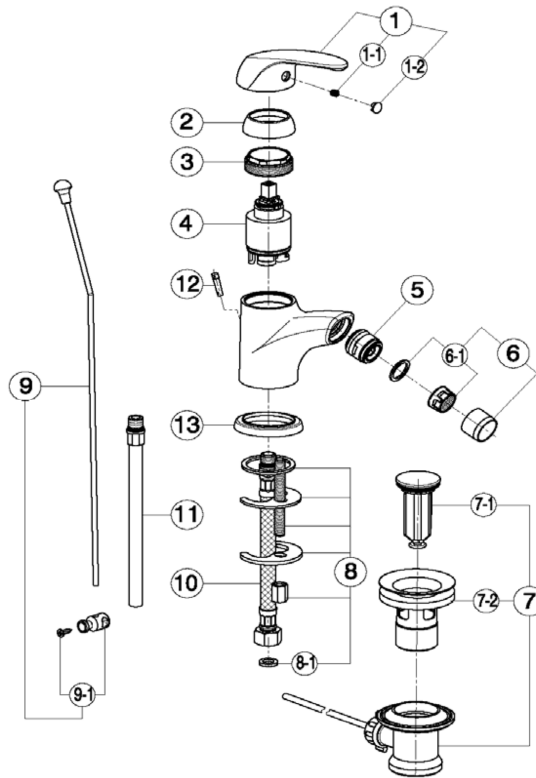
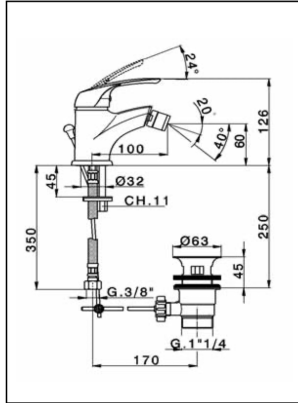


## Bidé monomando FLASH\_FL000552

# cisal

### FL 00055 2



| NR. | DESCRIZIONE<br>DESCRIPTION<br>BESCHREIBUNG<br>DESCRIPTION  | N.CODICE<br>CODE NO.<br>WERSKNR.<br>NR.CODE | NR. | DESCRIZIONE<br>DESCRIPTION<br>BESCHREIBUNG<br>DESCRIPTION  | N.CODICE<br>CODE NO.<br>WERSKNR.<br>NR.CODE | NR. | DESCRIZIONE<br>DESCRIPTION<br>BESCHREIBUNG<br>DESCRIPTION  | N.CODICE<br>CODE NO.<br>WERSKNR.<br>NR.CODE |
|-----|--|---|-----|--|---|-----|--|---|
| 1   | Lever monoc.FL<br>Lever "FL"<br>Hebel "FL"<br>Levier "FL"  | ZZ940780                                    | 6   | Aeratore M.22x1 IA<br>Mousseur M.22x1 IA<br>Perlator M.22x1 IA<br>Mousseur M.22x1 IA   | ZZ928350                                    | 9   | Astina scarico completa Ø4<br>Rod Ø4<br>Zugstange Ø4<br>Tige Ø4  | ZZ940730                                    |
| 1-1 | Grano punta coppa inox M.5x6<br>Screw-stainless steel M.5x6<br>Madenschraube M.5x6<br>Vis speciale inox M.5x6<br>Placchetta per leva       | ZZ940630                                    | 6-1 | Cartuccia per aeratore M. 22x1<br>Mousseur cartridge M.22x1<br>Kart.f/Perlator M.22x1<br>Cartouche x mousseur M.22x1                 | ZZ927080                                    | 9-1 | Morsetto astina scarico automatico<br>Connection for pop-up rod<br>Gelenkstueck f/Zugstange<br>Jonction x tige vidage    | ZZ933430                                    |
| 1-2 | Cap for lever<br>Abdeckkappe f/Hebel<br>Plaquette levier   | ZZ927100                                    | 7   | Pop-up waste 1"1/4<br>Ablaufgarnitur 1" 1/4<br>Vidage automat. 1"1/4   | ZZ929600                                    | 10  | Flexibile M.11x1 3/8" F L.365<br>Flex M.11x1 3/8" L.365<br>Anschlussschlauch M.11x1 3/8" L.365<br>Flex M.11x1 3/8" L.365 | ZZ928420                                    |
| 2   | Copricartuccia senza ideogrammi<br>Escutcheon cartridge without ideogram<br>Abdeckkappe ohne Ideogramm<br>Couvre-cartouche sans ideogramme | ZZ940650                                    | 7-1 | Tappo completo scarico aut.1" 1/4<br>Plug for pop-up waste 1" 1/4<br>Stopfen f/Ablaufg. kpl 1" 1/4<br>Bonde - vidage 1"1/4           | ZZ929250                                    | 11  | Tubetto monoforo "SU" con O.R.<br>Tube with O.R. "SU"<br>Tube "SU" avec O.R.   | ZZ928380                                    |
| 3   | Calotta bloccaggio cartuccia<br>Nut for mixing valve<br>Mutter f/kartusche<br>Ecrou pour cartouche   | ZZ940660                                    | 7-2 | Piletta per scarico automatico 1" 1/4<br>Waste for bath drain 1" 1/4<br>Ablauf f/Ablaufgarnitur 1" 1/4<br>Crépine pour vidage 1" 1/4 | ZZ929240                                    | 12  | Tappino portacatenella<br>Plug for chain<br>Stopfen f/Kettenhalter<br>Bonde pour chaînette                               | ZZ927170                                    |
| 4   | Cartuccia monocomando<br>Mixing valve<br>Kartusche<br>Cartouche mitigeurs  | ZZ940340                                    | 8   | Set installazione monoc.monoforo<br>Installation set single hole<br>Befestigungsset<br>Set installation                              | ZZ940690                                    | 13  | Basetta per monocomando<br>Assembling ring for single lever mixer<br>Basis fuer Einhebelmischer<br>Bague pour mitigeur   | ZA006040                                    |
| 5   | Snodo per bidet 24/22<br>Joint for bidet spout 24/22<br>Gelenkstueck f/Bidet 24/22<br>Rotele pour bidet 24/22                              | ZZ927760                                    | 8-1 | Guarnizione fibra 3/8"<br>Gasket rubber 3/8"<br>Fiberdichtung 3/8"<br>Joint en fibre 3/8"  | ZZ926960                                    |     |  |   |

FL000552

<https://es.cisal.it/bide-monomando-flash-fl000552>

2025-01-15