

## Bidé monomando FLASH\_FL000552



MODELO **FL000552**

Bidé monomando, con desagüe automático 1" 1/4, latiguillos acero G.3/8"

ACABADOS DISPONIBLES

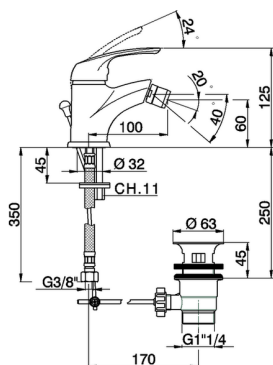


**21** 21 Cromo

CARACTERÍSTICAS

Recambio Cartucho **ZZ94034000**

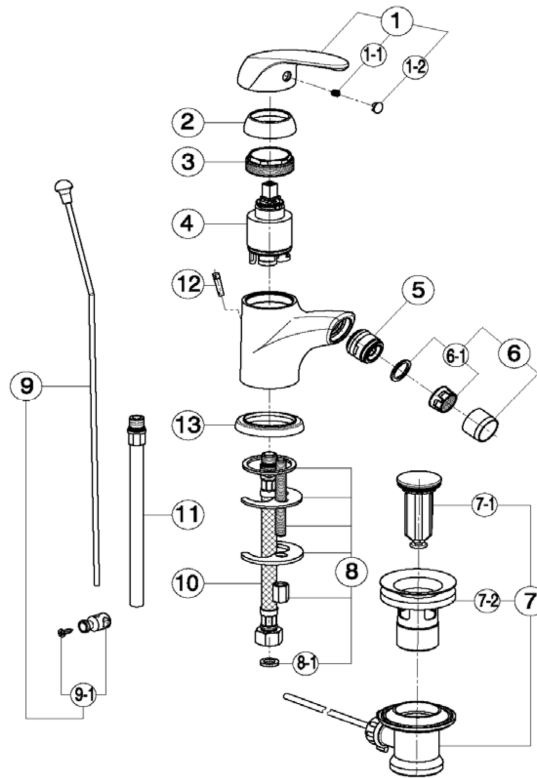
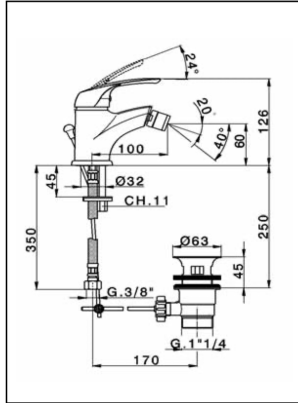
**Cartucho Monomando 35 mm**



## Bidé monomando FLASH\_FL000552

# cisal

### FL 00055 2



NR.	DESCRIZIONE DESCRIPTION BESCHREIBUNG DESCRIPTION	N.CODICE CODE NO. WERSKNR. NR.CODE	NR.	DESCRIZIONE DESCRIPTION BESCHREIBUNG DESCRIPTION	N.CODICE CODE NO. WERSKNR. NR.CODE	NR.	DESCRIZIONE DESCRIPTION BESCHREIBUNG DESCRIPTION	N.CODICE CODE NO. WERSKNR. NR.CODE
1	Lever monoc.FL Lever "FL" Hebel "FL" Levier "FL"	ZZ940780	6	Aeratore M.22x1 IA Mousseur M.22x1 IA Perlator M.22x1 IA Mousseur M.22x1 IA	ZZ928350	9	Astina scarico completa Ø4 Rod Ø4 Zugstange Ø4 Tige Ø4	ZZ940730
1-1	Grano punta coppa inox M.5x6 Screw-stainless steel M.5x6 Madenschraube M.5x6 Vis speciale inox M.5x6 Placchetta per leva	ZZ940630	6-1	Cartuccia per aeratore M. 22x1 Mousseur cartridge M.22x1 Kart.f/Perlator M.22x1 Cartouche x mousseur M.22x1 Scarico automatico 1" 1/4 sabbatoio	ZZ927080	9-1	Morsetto astina scarico automatico Connection for pop-up rod Gelenkstueck f/Zugstange Jonction x tige vidage Flessibile M.11x1 3/8" F L.365	ZZ933430
1-2	Cap for lever Abdeckkappe f/Hebel Plaquette levier	ZZ927100	7	Pop-up waste 1"1/4 Ablaufgarnitur 1" 1/4 Vidage automat. 1"1/4	ZZ929600	10	Flex M.11x1 3/8" L.365 Anschluss Schlauch M.11x1 3/8" L.365 Flex M.11x1 3/8" L.365	ZZ928420
2	Copricartuccia senza ideogrammi Escutcheon cartridge without ideogram Abdeckkappe ohne Ideogramm Couvre-cartouche sans ideogramme	ZZ940650	7-1	Tappo completo scarico aut.1" 1/4 Plug for pop-up waste 1" 1/4 Stopfen f/Ablaufg. kpl 1" 1/4 Bonde - vidage 1"1/4	ZZ929250	11	Tube monoforo "SU" con O.R. Tube with O.R. "SU" Tube "SU" avec O.R.	ZZ928380
3	Calotta bloccaggio cartuccia Nut for mixing valve Mutter f/kartusche Ecrou pour cartouche	ZZ940660	7-2	Piletta per scarico automatico 1" 1/4 Waste for bath drain 1" 1/4 Ablauf f/Ablaufgarnitur 1" 1/4 Crépine pour vidage 1" 1/4	ZZ929240	12	Tappino portacatenella Plug for chain Stopfen f/Kettenhalter Bonde pour chaînette	ZZ927170
4	Cartuccia monocomando Mixing valve Kartusche Cartouche mitigeurs	ZZ940340	8	Set installazione monoc.monoforo Installation set single hole Set installation	ZZ940690	13	Basetta per monocomando Assembling ring for single lever mixer Basis fuer Einhebelmischer Bague pour mitigeur	ZA006040
5	Snodo per bidet 24/22 Joint for bidet spout 24/22 Gelenkstueck f/Bidet 24/22 Rotele pour bidet 24/22	ZZ927760	8-1	Guarnizione fibra 3/8" Gasket rubber 3/8" Fiberdichtung 3/8" Joint en fibre 3/8"	ZZ926960			

FL000552

<https://es.cisal.it/bide-monomando-flash-fl000552>

2025-01-15