

Grifo de un sólo agua TR_TR000750

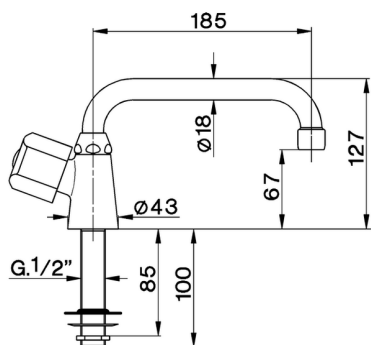
MODELO **TR000750**

Grifo de un sólo agua, sin desagüe automático, sin maneta

ACABADOS DISPONIBLES



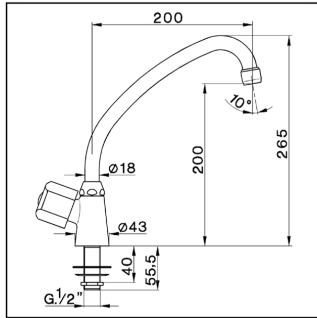
CARACTERÍSTICAS



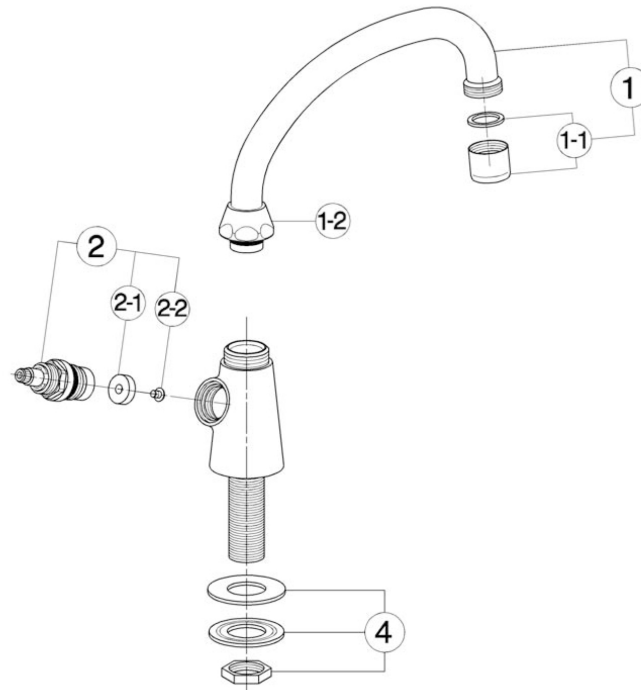
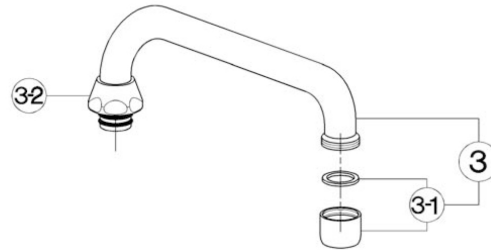
Grifo de un sólo agua TR_TR000750

cisal

TR 00074 (TR 00075)



- Rubinetto a colonna
- Deck-mounted single tap
- Standschwenkventil
- Robinet de comptoir



| bar | PORTATA BOCCA DI EROGAZIONE * SPOUT FLOW RATE DURCHFLOSS WANNENEINLAUF DEBIT BEC DÉVERSEUR l/min. |
|-----|---|
| 0.1 | 10 |
| 0.2 | 14.5 |
| 0.3 | 18.5 |
| 0.4 | 21.5 |
| 0.5 | 24.5 |
| 1 | 34.5 |

* con rompigetto
with antispash
mit Strahlregler
avec brise-jet

| NR. | DESCRIZIONE DESCRIPTION BESCHREIBUNG DESCRIPTION | N. CODICE CODE NO. WERKSNR. NR. CODE | NR. | DESCRIZIONE DESCRIPTION BESCHREIBUNG DESCRIPTION | N. CODICE CODE NO. WERKSNR. NR. CODE | NR. | DESCRIZIONE DESCRIPTION BESCHREIBUNG DESCRIPTION | N. CODICE CODE NO. WERKSNR. NR. CODE |
|-----|--|---|-----|---|---|-----|---|---|
| 1 | Canna alla Ø18 interasse 200 Swinging spout 200 Ø18 Auslauf-Rohr-U-200 Ø18 Bec orientable 200 Ø18 | ZZ 92739 0 | 3 | Canna a U Ø18 interasse 185 Swinging spout 185 Ø18 Auslauf-Rohr-U-185 Ø18 Bec orientable 185 Ø18 | ZZ 92736 0 | | | |
| 1-1 | Rompigetto M.22x1 Antispash M.22x1 Strahlregler M.22x1 Brise-jet M.22x1 | ZZ 92771 0 | 3-1 | Rompigetto M.22x1 Antispash M.22x1 Strahlregler M.22x1 Brise-jet M.22x1 | ZZ 92771 0 | | | |
| 1-2 | Calotta 3/4" es.29 Ø19.5 Nut 3/4" Ø19.5 Mutter 3/4" Ø19.5 Eccrou 3/4" Ø19.5 | ZZ 92615 0 | 3-2 | Calotta 3/4" es.29 Ø19.5 Nut 3/4" Ø19.5 Mutter 3/4" Ø19.5 Eccrou 3/4" Ø19.5 | ZZ 92615 0 | | | |
| 2 | Vitone 1/2" "TR" Headvalve 1/2" "TR" Oberteil 1/2" "TR" Tête 1/2" "TR" | ZZ 92869 0 | 4 | Set installazione rubinetto a colonna Installation set deck-mounted tap Befestigungsset Set installation | ZZ 92740 0 | | | |
| 2-1 | Guarnizione NBR 90 SH. 16.9x5.5x5 Gasket NBR 90 SH. 16.9x5.5x5 Dichtung NBR 90 SH. 16.9x5.5x5 Joint NBR 90 SH. 16.9x5.5x5 | ZZ 92699 0 | | | | | | |
| 2-2 | Vite M.4x4.5 tb. Ø8 l.cr. Screw M.4x4.5 Schraube M.4x4.5 Vis M.4x4.5 | ZZ 92625 0 | | | | | | |

TR000750

<https://es.cisal.it/grifo-de-un-solo-agua-tr-tr000750>

2026-04-30