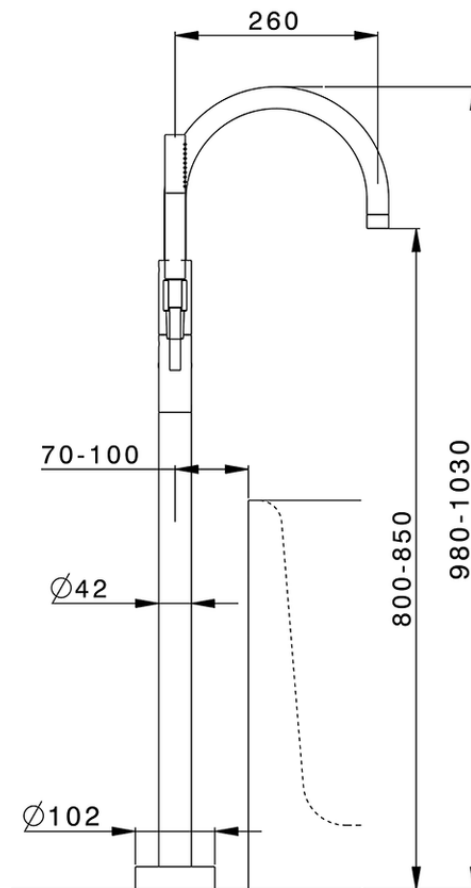


## Parte externa monomando bañera de suelo NUOVA LESS\_LN014200



LN014200

<https://es.cisal.it/parte-externa-monomando-banera-de-suelo-nuova-less-ln014200>



ZA004510

<https://es.cisal.it/parte-empotrada-monomando-free-standing-empotrado-za004510>

2026-06-14