

Bañera monomando empotrada **WAVE_WA001100**



MODELO **WA001100**

Bañera monomando empotrada, desviador automático, soporte duchita, duchita una función minimal de Latón, flexible PVC 150 cm

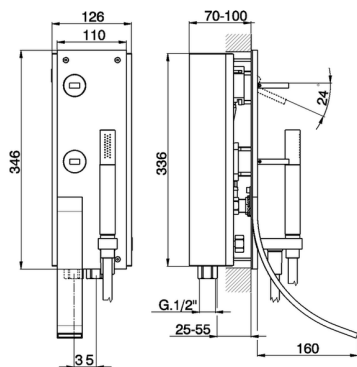
ACABADOS DISPONIBLES

-  **21** 21 Cromo
-  **2F** 2F Niquel Cepillado
-  **2Q** 2Q Black Titanium

CARACTERÍSTICAS

Recambio Cartucho **ZZ93197000**

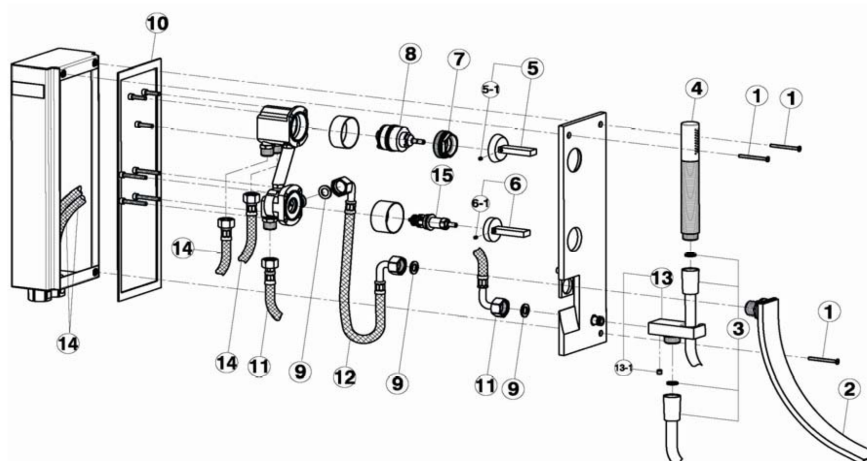
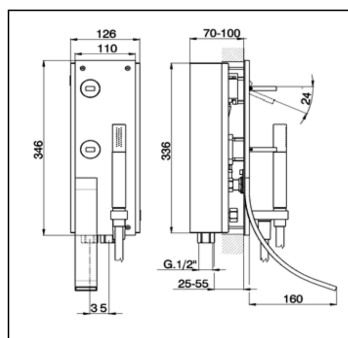
Cartucho monocomando Joystick 38 mm



Bañera monomando empotrada WAVE_WA001100

cisal

WA 00110



| NR. | DESCRIZIONE DESCRIPTION BESCHREIBUNG DESCRIPTION | N.CODICE CODE NO. WERSKNR. NR.CODE | NR. | DESCRIZIONE DESCRIPTION BESCHREIBUNG DESCRIPTION | N.CODICE CODE NO. WERSKNR. NR.CODE | NR. | DESCRIZIONE DESCRIPTION BESCHREIBUNG DESCRIPTION | N.CODICE CODE NO. WERSKNR. NR.CODE |
|-----|---|---|-----|--|---|------|--|---|
| 1 | Vite M.4x45 Screw M.4x45 Schraube M.4x45 Vis M.4x45 | ZZ944920 | 6 | Leva per deviazione automatica Lever for automatic diverter Hebel fuer automatische Umstellung Lever pour inverseur automatique | ZZ944980 | 11 | Flessibile 350 G.3/8"F x G.1/2"F Flex 350 G.3/8"F x G.1/2"F Anschlusschlauch 350 G.3/8"FxG.1/2"F Flex 350 G.3/8"F x G.1/2"F | ZZ944930 |
| 2 | Bocca di erogazione Bath spout Wanneneinlauf Bec déverseur | ZZ944960 | 6-1 | Grano punta plana inox M.4x4 Screw-stainless steel M.4x4 Madenschraube M.4x4 Vis speciale inox M.4x4 | ZZ933280 | 12 | Flessibile 1/2"F 90° 1/2"F 90° Flex 1/2"F 90° 1/2"F 90° Anschlusschlauch 1/2"F 90° 1/2"F 90° Flex 1/2"F 90° 1/2"F 90° | ZZ945030 |
| 3 | Flex PVC 150 cm Ø14 1/2"x1/2" conico Braueschl. PVC 150 cm Ø14 1/2"x1/2" Flex.PVC 150 cm Ø14 1/2"x1/2" | ZZ933040 | 7 | Calotta bloccaggio cartuccia Nut for mixing valve Mutter f/Kartusche Ecrou pour cartouche | ZZ944880 | 13 | Supporto doccia Shower holder Brausehalter Support de douche | ZZ945010 |
| 4 | Doccia minimale Minimal handshower Handbrause minimal Douchette minimal | DS014090 | 8 | Cartuccia monocomando Mixing valve Kartusche Cartouche mitigeurs | ZZ931970 | 13-1 | Grano punta coppa inox M.6x6 Screw-stainless steel M.6x6 Madenschraube M.6x6 Vis speciale inox M.6x6 | ZZ933370 |
| 5 | Lever "WA" Hebel "WA" Lever "WA" | ZZ944870 | 9 | Guarnizione fibra 18,5x11x2 Gasket rubber 18,5x11x2 Fiberdichtung 18,5x11x2 Joint en fibre 18,5x11x2 | ZZ927140 | 14 | Flex M.11x1 3/8" L.365 Anschlusschlauch M.11x1 3/8" L.365 Flex M.11x1 3/8" L.365 | ZZ928420 |
| 5-1 | Grano punta plana inox M.4x4 Screw-stainless steel M.4x4 Madenschraube M.4x4 Vis speciale inox M.4x4 | ZZ933280 | 10 | Guarnizione per piastra Gasket for plate Dichtung fuer Platte Joint pour plaque | ZZ944970 | | | |

WA001100

<https://es.cisal.it/banera-monomando-empotrada-wave-wa001100>

2025-01-15