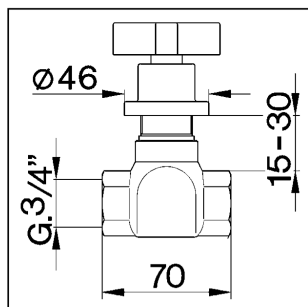


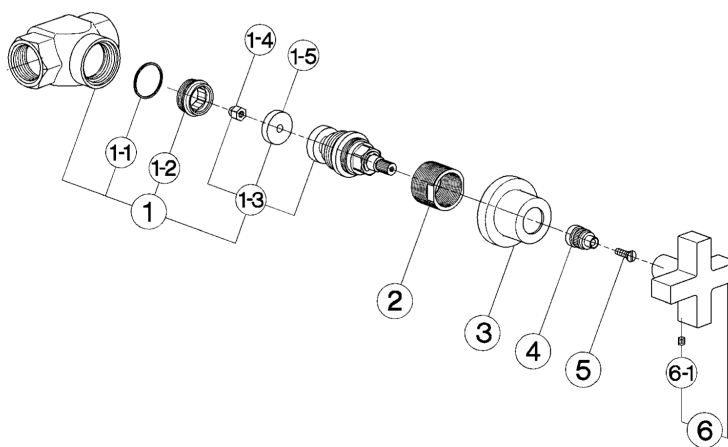
## Llave de paso empotrada BARCELONA\_BA000303

# cisal

## BA 00030



- Rubinetto incasso
- Concealed valve
- UP-Ventil DN 15
- Robinet à encastrer



bar	PORTATA * FLOW RATE DURCHFLOSS DEBIT l/min.
0.1	21
0.3	37
0.5	42.5
1	60
2	/
3	/

\* senza resistenza silenziosa (uscita libera)  
without hydraulic resistance  
ohne Widerstand  
sans résistance hydraulique

NR.	DESCRIZIONE DESCRIPTION BESCHREIBUNG DESCRIPTION	N. CODICE CODE NO. WERKSNR. NR. CODE	NR.	DESCRIZIONE DESCRIPTION BESCHREIBUNG DESCRIPTION	N. CODICE CODE NO. WERKSNR. NR. CODE	NR.	DESCRIZIONE DESCRIPTION BESCHREIBUNG DESCRIPTION	N. CODICE CODE NO. WERKSNR. NR. CODE
1	Rubinetto incasso 3/4" Concealed stop cock 3/4" Unterputventil 3/4" Robinet à encastrer 3/4"	ZZ 93494 0	2	Riduzione cappuccio incasso Reduction for escutcheon Reduzierstück Reduction rosace	ZZ 93495 0			
1-1	Guarnizione rame 24x22,1x1 Gasket copper 24x22,1x1 Kupferdichtung 24x22,1x1 Joint cuivre 24x22,1x1	ZZ 92657 0	3	Cappuccio per batteria lavabo Escutcheon for basin mixer Abdeckkappe - WT Rosace lavabo	ZZ 93333 0			
1-2	Sede rubinetto incasso 3/4" Seat 3/4" Sitz 3/4" Siège 3/4"	ZZ 92659 0	4	Prolunga asta vitone deviatore Extension for diverting valve Verlängerung Rallonge	ZZ 93497 0			
1-3	Vitone 3/4" rubinetto incasso Headvalve 3/4" Oberteil 3/4" UP - Ventil Tête robinet à encastrer 3/4"	ZZ 93496 0	5	Vite M.4x16 Screw M.4x16 Schraube M.4x16 Vis M.4x16	ZZ 93498 0			
1-4	Dado M.5 bloccaggio guarnizione vitone 3/4" Nut M.5 headvalve 3/4" Befestigungsmutter M.5 Oberteil 3/4" Ecrou de fixation M.5 tête 3/4"	ZZ 92636 0	6	Maniglia "BA" per rubinetto incasso Handle "BA" for concealed valve Griff "BA" U/P Ventil Croisillon "BA" pour robinet à encastrer	ZZ 93290 0			
1-5	Guarnizione NBR 90 SH. 21,9x5,2x5 Gasket NBR 90 SH. 21,9x5,2x5 Dichtung NBR 90 SH. 21,9x5,2x5 Joint NBR 90 SH. 21,9x5,2x5	ZZ 92700 0	6-1	Grano punta piano inox M.4x4 Screw-stainless steel M.4x4 Madenschraube M.4x4 Vis speciale inox M.4x4	ZZ 93328 0			

BA.7

BA000303

<https://es.cisal.it/lave-de-paso-empotrada-barcelona-ba000303>

2025-01-02