

Lavabo monomando CLINIC_EL000540



MODELO **EL000540**

Lavabo monomando, sin desagüe automático, latiguillos acero G.3/8"

ACABADOS DISPONIBLES

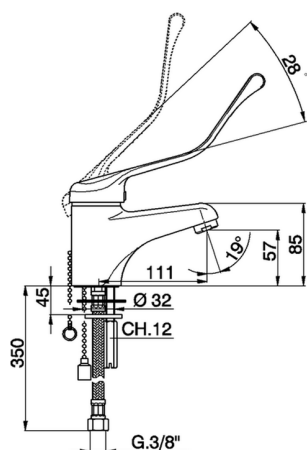


21 21 Cromo

CARACTERÍSTICAS

Recambio Cartucho **ZZ92909000**

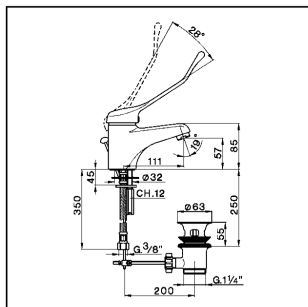
Cartucho Monomando 43 mm



Lavabo monomando CLINIC_EL000540

cisal

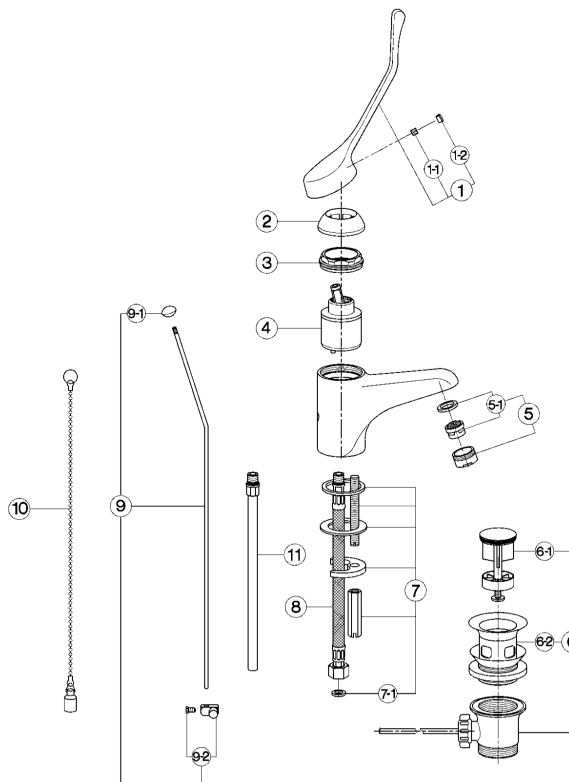
EL 00051 (EL 00054)



- Monocomando lavabo
- Single lever wash-basin mixer
- Einhand-Waschtischbatterie
- Mitigeur lavabo

bar	PORTATA BOCCA DI EROGAZIONE * SPOUT FLOW RATE DURCHFLOSS WANNENEINLAUF DEBIT BEC DEVERSEUR l/min.
0.5	6
1	8
2	11.5
3	13.5
4	15.5
5	17.5

* con resistenza silenziosa della classe di portata A (15 l/min. a 3 bar)
with hydraulic resistance of flow rate class A (15 l/min. at 3 bar)
mit geräuscharmen Widerstand der Durchflussklasse A (15 l/min. bei 3 bar)
avec aérateur classe A (15 l/min. à 3 bar)



NR.	DESCRIZIONE DESCRIPTION BESCHREIBUNG DESCRIPTION	N. CODICE CODE NO. WERKSNR. NR. CODE	NR.	DESCRIZIONE DESCRIPTION BESCHREIBUNG DESCRIPTION	N. CODICE CODE NO. WERKSNR. NR. CODE	NR.	DESCRIZIONE DESCRIPTION BESCHREIBUNG DESCRIPTION	N. CODICE CODE NO. WERKSNR. NR. CODE
1	Leva clinica universale per monocomando Lever for clinic mixer Hebel U/Clinic Armaturen Levier longue	ZA 00500 0	6-1	Tappo completo scarico automatico 1" 1/4 Plug for pop-up waste 1" 1/4 Stopfen 1/Ablauf, kpl 1" 1/4 Bonde - vidage 1"1/4	ZZ 92925 0	11	Tubetto monodoro "SU" con O.R. Tube with O.R. "SU" Anschlussrohr mit O.R. "SU" Tube "SU" avec O.R.	ZZ 92838 0
1-1	Grano punta plana inox M.6x6 Screw-stainless steel M.6x6 Mädenschraube M.6x6 Vis speciale inox M.6x6	ZZ 92645 0	6-2	Piletta per scarico automatico 1" 1/4 Waste for bath drain 1" 1/4 Ablauf 1/Ablaufgarnitur 1" 1/4 Crépine pour vidage 1" 1/4	ZZ 92924 0			
1-2	Piacchetta per leva Cap for lever Abdeckkappe 1/Hebel Plaquette levier	ZZ 92710 0	7	Set installazione monocomando monodoro Installation set single hole Befestigungsset Set installation	ZZ 92851 0			
2	Copricartuccia senza ideogrammi Escutcheon cartridge without ideogram Abdeckkappe ohne Ideogramm Couvre-cartouche sans ideogramme	ZZ 92718 0	7-1	Guarnizione fibra 3/8" Gasket rubber 3/8" Fiberdichtung 3/8" Joint en fibre 3/8"	ZZ 92696 0			
3	Calotta bloccaggio cartuccia piccola Nut for mixing valve-small Mutter 1/Kartusche Ecrou pour cartouche	ZZ 92603 0	8	Flessibile M.11x1 3/8" F L.365 Flex M.11x1 3/8" L.365 Anschlusschlauch M.11x1 3/8" L.365 Flex M.11x1 3/8" L.365	ZZ 92842 0			
4	Cartuccia monocomando piccola Mixing valve - small size Kartusche Cartouche mitigeurs	ZZ 92909 0	9	Astina scarico completa Ø4 Rod Ø4 Zugstange Ø4 Tige Ø4	ZZ 92044 0			
5	Aeratore M.24x1 IA Mousseur M.24x1 IA Perlator M.24x1 IA Mousseur M.24x1 IA	ZZ 92836 0	9-1	Pomolo per scarico automatico Knob for pop-up rod Zugknopf Ablaufgar. Pommeau - tige	ZZ 92644 0			
5-1	Cartuccia per aeratore M. 24x1 Mousseur cartridge M.24x1 Kart. 1/Perlator M.24x1 Cartouche x mousseur M.24x1	ZZ 92695 0	9-2	Morsetto snodato per astina Ø5,2 Connection for pop-up rod Ø5,2 Gelenkstueck 1/Zugstange Ø5,2 Jonction x tige vidage Ø5,2	ZZ 92614 0			
6	Scarico automatico 1" 1/4 sabbliato Pop-up waste 1" 1/4 Ablaufgarnitur 1" 1/4 Vidage automat. 1"1/4	ZZ 92754 0	10	Catenella monodoro lavello Chain for sink mixer Kette Chainette - évier	ZZ 92643 0			

EL.6

EL000540

<https://es.cisal.it/lavabo-monomando-clinice1000540>

2024-11-01