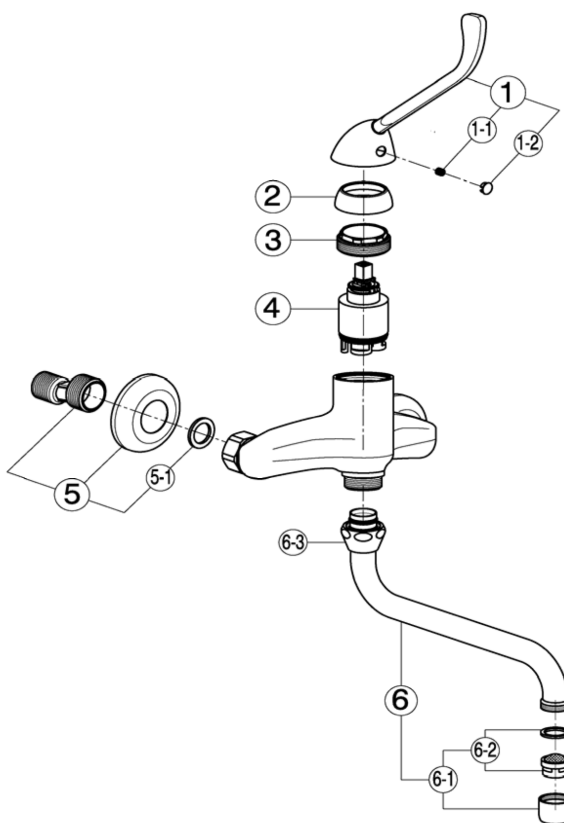
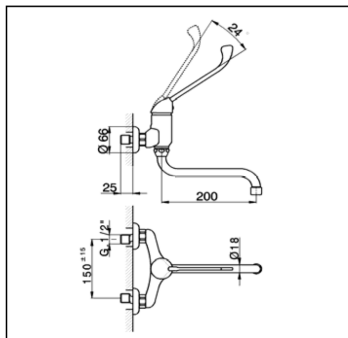


Fregadero monomando de pared CLINIC_CL000401

cisal

CL 00040



NR.	DESCRIZIONE DESCRIPTION BESCHREIBUNG DESCRIPTION	N.CODICE CODE NO. WERSKNR. NR.CODE	NR.	DESCRIZIONE DESCRIPTION BESCHREIBUNG DESCRIPTION	N.CODICE CODE NO. WERSKNR. NR.CODE	NR.	DESCRIZIONE DESCRIPTION BESCHREIBUNG DESCRIPTION	N.CODICE CODE NO. WERSKNR. NR.CODE
1	Leva monocomando "CL" Hebel "CL" Levier "CL" Grano punta coppa inox M.5x6	ZA005020	5	Eccentrico con rosone Excentric connection with escutcheon S - Anschluss m.Rosette Excentrique + rosace Guarnizione NBR 90 SH. 24x16x2,7	ZZ927300			
1-1	Screw-stainless steel M.5x6 Madenschraube M.5x6 Vis speciale inox M.5x6 Piacchetta per leva	ZZ940630	5-1	Gasket NBR 90 SH. 24x16x2,7 Dichtung NBR 90 SH. 24x16x2,7 Joint NBR 90 SH. 24x16x2,7 Canna a S Ø18 interasse 200	ZZ926890			
1-2	Cap for lever Abdeckkappe f/Hebel Plaquelette levier	ZZ927100	6	Swinging spout 200 Ø18 Auslauf-Rohr-S-200 Ø18 Bec orientable 200 Ø18 Aeratore M.22x1 IA	ZZ928220			
2	Copricartuccia senza ideogrammi Escutcheon cartridge without ideogram Abdeckkappe ohne Ideogramm Couvre-cartouche sans ideogramme Calotta bloccaggio cartuccia	ZZ940650	6-1	Mousseur M.22x1 IA Perlator M.22x1 IA Mousseur M.22x1 IA Cartuccia per aeratore M. 22x1	ZZ928350			
3	Nut for mixing valve Mutter f/kartusche Ecrou pour cartouche	ZZ940660	6-2	Mousseur cartridge M.22x1 Kart.f/Perlator M.22x1 Cartouche x mousseur M.22x1	ZZ927080			
4	Cartuccia monocomando Mixing valve Kartusche Cartouche mitigeurs	ZZ940340	6-3	Calotta 3/4" es.29 Ø19,5 Nut 3/4" Ø19,5 Mutter 3/4" Ø19,5 Ecrou 3/4" Ø19,5	ZZ926150			

CL000401

<https://es.cisal.it/fregadero-monomando-de-pared-clinic-cl000401>

2024-12-22