

## Fregadero monomando de pared CLINIC\_CL000401



MODELO **CL000401**

Fregadero monomando de pared, caño giratorio

ACABADOS DISPONIBLES

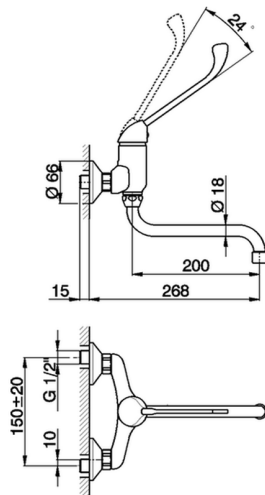


**21** 21 Cromo

CARACTERÍSTICAS

Recambio Cartucho **ZZ94034000**

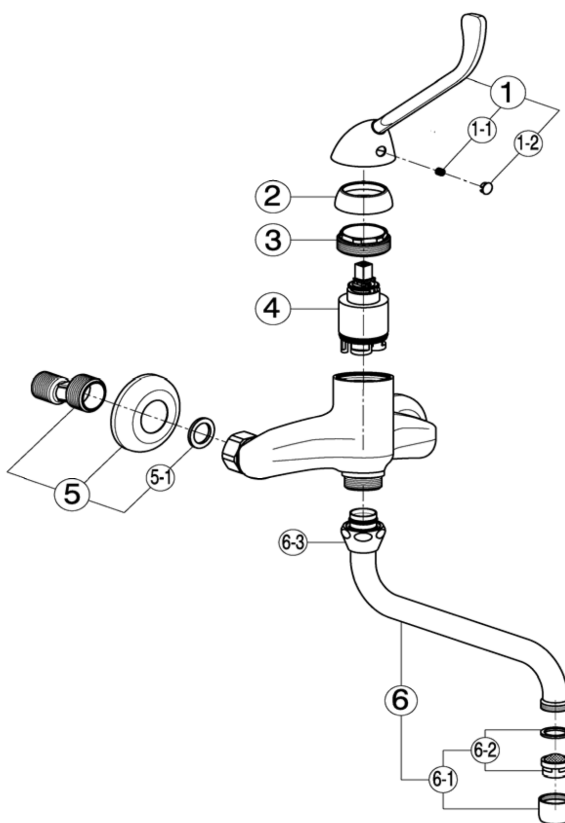
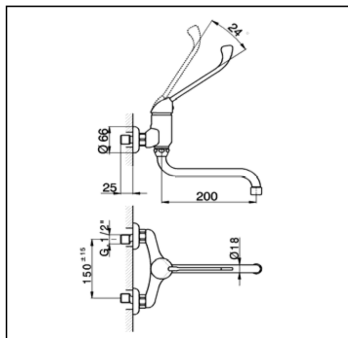
**Cartucho Monomando 35 mm**



## Fregadero monomando de pared CLINIC\_CL000401

# cisal

### CL 00040



| NR. | DESCRIZIONE<br>DESCRIPTION<br>BESCHREIBUNG<br>DESCRIPTION   | N.CODICE<br>CODE NO.<br>WERSKNR.<br>NR.CODE | NR. | DESCRIZIONE<br>DESCRIPTION<br>BESCHREIBUNG<br>DESCRIPTION                                  | N.CODICE<br>CODE NO.<br>WERSKNR.<br>NR.CODE | NR. | DESCRIZIONE<br>DESCRIPTION<br>BESCHREIBUNG<br>DESCRIPTION | N.CODICE<br>CODE NO.<br>WERSKNR.<br>NR.CODE |
|-----|---|---|-----|--|---|-----|---|---|
|     | Leva monocomando "CL"   |   |     | Eccentrico con rosone  |   |     |   |   |
| 1   | Lever "CL"<br>Hebel "CL"<br>Levier "CL"   | ZA005020                                    | 5   | Excentric connection with escutcheon<br>S - Anschluss m.Rosette<br>Excentrique + rosace    | ZZ927300                                    |     |   |   |
|     | Grano punta coppa inox M.5x6  |   |     | Guarnizione NBR 90 SH. 24x16x2,7   |   |     |   |   |
| 1-1 | Screw-stainless steel M.5x6<br>Madenschraube M.5x6<br>Vis speciale inox M.5x6                           | ZZ940630                                    | 5-1 | Gasket NBR 90 SH. 24x16x2,7<br>Dichtung NBR 90 SH. 24x16x2,7<br>Joint NBR 90 SH. 24x16x2,7 | ZZ926890                                    |     |   |   |
|     | Piacchetta per leva   |   |     | Canna a S Ø18 interasse 200  |   |     |   |   |
| 1-2 | Cap for lever<br>Abdeckkappe f/Hebel<br>Plaqueette levier   | ZZ927100                                    | 6   | Swinging spout 200 Ø18<br>Auslauf-Rohr-S-200 Ø18<br>Bec orientable 200 Ø18                 | ZZ928220                                    |     |   |   |
|     | Copricartuccia senza ideogrammi   |   |     | Aeratore M.22x1 IA   |   |     |   |   |
| 2   | Escutcheon cartridge without ideogram<br>Abdeckkappe ohne Ideogramm<br>Couvre-cartouche sans ideogramme | ZZ940650                                    | 6-1 | Mousseur M.22x1 IA<br>Perlator M.22x1 IA<br>Mousseur M.22x1 IA                             | ZZ928350                                    |     |   |   |
|     | Calotta bloccaggio cartuccia  |   |     | Cartuccia per aeratore M. 22x1   |   |     |   |   |
| 3   | Nut for mixing valve<br>Mutter f/kartusche<br>Ecrou pour cartouche                                      | ZZ940660                                    | 6-2 | Mousseur cartridge M.22x1<br>Kart.f/Perlator M.22x1<br>Cartouche x mousseur M.22x1         | ZZ927080                                    |     |   |   |
|     | Cartuccia monocomando   |   |     | Calotta 3/4" es.29 Ø19,5   |   |     |   |   |
| 4   | Mixing valve<br>Kartusche<br>Cartouche mitigeurs  | ZZ940340                                    | 6-3 | Nut 3/4" Ø19,5<br>Mutter 3/4" Ø19,5<br>Ecrou 3/4" Ø19,5                                    | ZZ926150                                    |     |   |   |

CL000401

<https://es.cisal.it/fregadero-monomando-de-pared-clinic-cl000401>

2024-12-22