

Fregadero KITCHEN_BQ000531



MODELO **BQ000531**

Fregadero,caño giratorio,latiguillos acero G.3/8"

ACABADOS DISPONIBLES

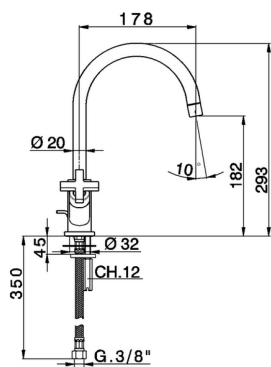


21 21 Cromo



2A 2A Niquel Satinado Cepillado

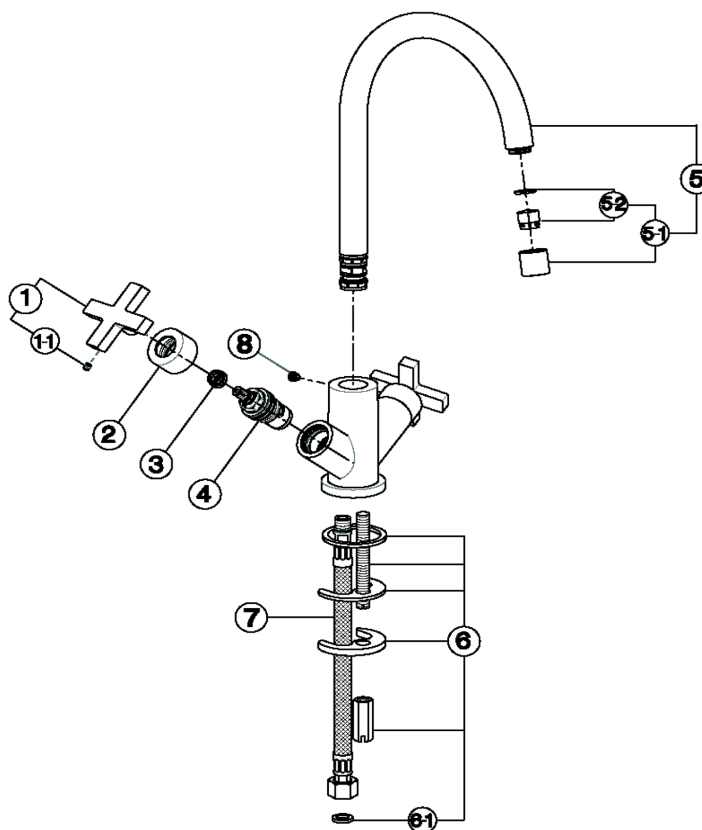
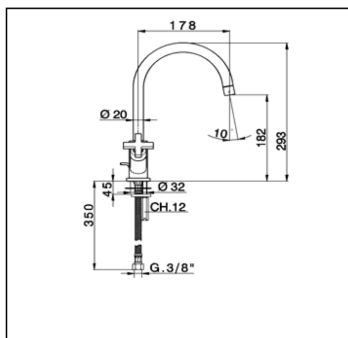
CARACTERÍSTICAS



Fregadero KITCHEN_BQ000531

cisal

BQ 00053 1



| NR. | DESCRIZIONE DESCRIPTION BESCHREIBUNG DESCRIPTION | N.CODICE CODE NO. WERSKNR. NR.CODE | NR. | DESCRIZIONE DESCRIPTION BESCHREIBUNG DESCRIPTION | N.CODICE CODE NO. WERSKNR. NR.CODE | NR. | DESCRIZIONE DESCRIPTION BESCHREIBUNG DESCRIPTION | N.CODICE CODE NO. WERSKNR. NR.CODE |
|-----|--|---|-----|--|---|-----|---|---|
| 1 | Maniglia "BQ" per monofori Handle "BQ" for single hole mixer Griff "BQ" f/Einloch-Batterien Croisillon "BQ" pour mélangeur monotrou | ZZ945990 | 5-1 | Aeratore M16x1 D20 Mousseur M16x1 D20 Perlator M16x1 D20 Mousseur M16x1 D20 | ZZ946500 | | | |
| 1-1 | Grano punta piana inox M.4x4 Screw-stainless steel M.4x4 Madenschraube M.4x4 Vis speciale inox M.4x4 | ZZ933280 | 5-2 | Cart.aerat.M16x1 Mousseur cartridge M16x1 Kart.f/Perlator M16x1 Cartouche x mousseur M16x1 | ZZ944100 | | | |
| 2 | Cappuccio coprivitone "BA" Escutcheon "BA" Abdeckkappe "BA" Rosace couvre-tête "BA" | ZZ933270 | 6 | Set installazione monoc.monoforo Installation set single hole Befestigungsset Set installation | ZZ928990 | | | |
| 3 | Riduzione brocciata completa Complete broached reduction piece Verkuerzung Raemwerkzeug komplett Reduction avec brochage complète | ZZ933300 | 6-1 | Guarnizione fibra 3/8" Gasket rubber 3/8" Fiberdichtung 3/8" Joint en fibre 3/8" | ZZ926960 | | | |
| 4 | Vitone ceramico 1/2" DX 90° Ceramic headvalve 1/2" right 90° Keramikoberteil 1/2" - rechts - 90° Tête céram. 1/2" droite 90° | ZZ929070 | 7 | Flessibile M.11x1 3/8" F.L.365 Flex M.11x1 3/8" L.365 Anschluss Schlauch M.11x1 3/8" L.365 Flex M.11x1 3/8" L.365 | ZZ928420 | | | |
| 5 | Canna alta Ø20 interasse 178 Swinging spout 178 Ø20 Auslauf-Rohr-U-178-Ø20 Bec orientable 178 Ø20 | ZZ946510 | | | | | | |

BQ000531

<https://es.cisal.it/fregadero-kitchen-bq000531>

2026-05-01