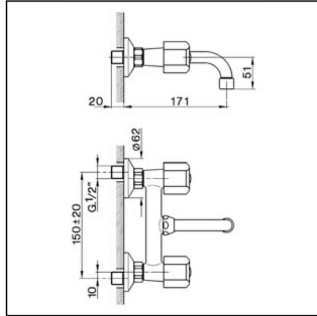


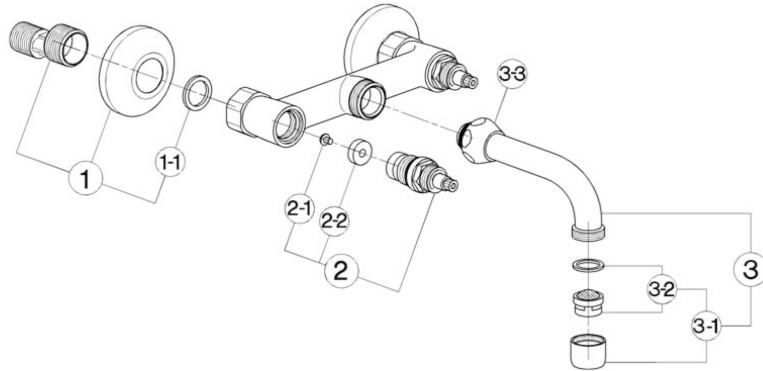
Fregadero de pared TR_TR000380

cisal

TR 00038



- Gruppo lavello
- Sink mixer
- Spültisch-Wandbatterie
- Mélangeur évier mural



bar	PORTATA BOCCA DI EROGAZIONE * SPOUT FLOW RATE DURCHFLOSS WANNENEINLAUF DEBIT BEC DÉVERSEUR l/min.
0.5	6.5
1	9
2	12.5
3	15
4	17.5
5	19.5

* con resistenza silenziosa della classe di portata A (15 l/min. a 3 bar)
with hydraulic resistance of flow rate class A (15 l/min. at 3 bar)
mit geräuscharmen Widerstand der Durchflussklasse A (15 l/min. bei 3 bar)
avec aérateur classe A (15 l/min. à 3 bar)

NR.	DESCRIZIONE DESCRIPTION BESCHREIBUNG DESCRIPTION	N. CODICE CODE NO. WERKSNR. NR. CODE	NR.	DESCRIZIONE DESCRIPTION BESCHREIBUNG DESCRIPTION	N. CODICE CODE NO. WERKSNR. NR. CODE	NR.	DESCRIZIONE DESCRIPTION BESCHREIBUNG DESCRIPTION	N. CODICE CODE NO. WERKSNR. NR. CODE
1	Eccentrico con rosone Eccentric connection with escutcheon S - Anschluss m. Rosette Eccentrique + rosace	ZZ 92730 0	3-1	Aeratore M.22x1 1A Mousseur M.22x1 1A Perlator M.22x1 1A Mousseur M.22x1 1A	ZZ 92835 0			
1-1	Guarnizione NBR 90 SH. 24x16x2,7 Gasket NBR 90 SH. 24x16x2,7 Dichtung NBR 90 SH. 24x16x2,7 Joint NBR 90 SH. 24x16x2,7	ZZ 92689 0	3-2	Cartuccia per aeratore M. 22x1 Mousseur cartridge M.22x1 Kart.1/Perlator M.22x1 Cartouche x mousseur M.22x1	ZZ 92708 0			
2	Vitone 1/2" "TR" Headvalve 1/2" "TR" Oberteil 1/2" "TR" Tête 1/2" "TR"	ZZ 92869 0	3-3	Calotta 3/4" es.29 Ø19,5 Nut 3/4" Ø19,5 Mutter 3/4" Ø19,5 Ecrou 3/4" Ø19,5	ZZ 92615 0			
2-1	Vite M.4x4,5 tb. Ø8 t.c.r. Screw M.4x4,5 Schraube M.4x4,5 Vis M.4x4,5	ZZ 92625 0						
2-2	Guarnizione NBR 90 SH. 16,9x5,5x5 Gasket NBR 90 SH. 16,9x5,5x5 Dichtung NBR 90 SH. 16,9x5,5x5 Joint NBR 90 SH. 16,9x5,5x5	ZZ 92699 0						
3	Canna fissa lavello a parete Spout for sink/basin Auslauf-WT-Wandbatterie Bec lavabo/évier fixe	ZZ 90478 0						

TR000380

<https://es.cisal.it/fregadero-de-pared-tr-tr000380>

2024-12-22