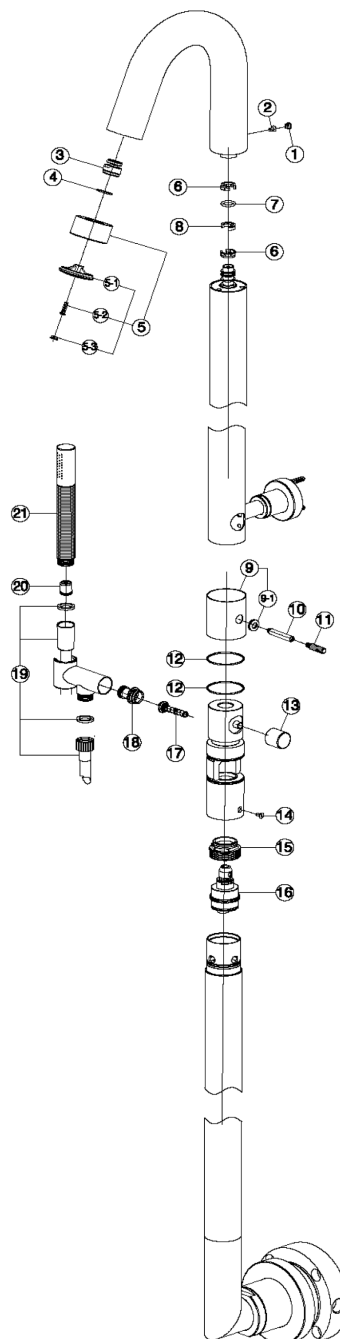
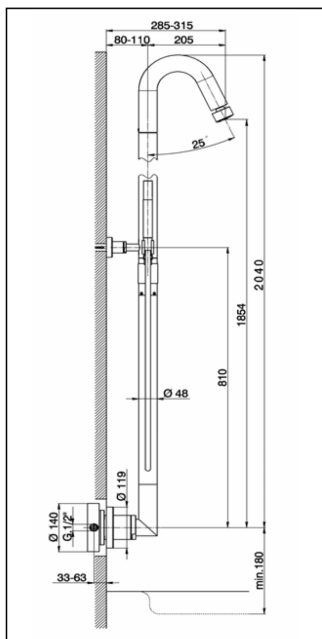


Columna monomando ducha 2 funciones COLUMNAS DUCHA_ST005050

cisal

ST 00505 - ST 000510



ST005050

<https://es.cisal.it/columna-monomando-ducha-2-funciones-columnas-ducha-st005050>

Columna monomando ducha 2 funciones COLUMNAS DUCHA_ST005050

cisal

ST 00505 - ST 000510

| NR. | DESCRIZIONE DESCRIPTION BESCHREIBUNG DESCRIPTION | N.CODICE CODE NO. WERSKNR. NR.CODE | NR. | DESCRIZIONE DESCRIPTION BESCHREIBUNG DESCRIPTION | N.CODICE CODE NO. WERSKNR. NR.CODE | NR. | DESCRIZIONE DESCRIPTION BESCHREIBUNG DESCRIPTION | N.CODICE CODE NO. WERSKNR. NR.CODE |
|-----|--|---|-----|--|---|-----|---|---|
| 1 | Placchetta per leva neutra Cap for lever Abdeckkappe f/Hebel Plaquette levier | ZZ927110 | 7 | O.R. 11 NBR 75 SH. O.R. 11 NBR 75 SH. O.R. 11 NBR 75 SH. O.R. 11 NBR 75 SH. | ZZ926900 | 15 | Calotta bloccaggio cartuccia Nut for mixing valve Mutter f/Kartusche Ecrou pour cartouche | ZZ937930 |
| 2 | Vite M.6 Screw M.6 Schraube M.6 Vis M.6 | ZZ941090 | 8 | Rondella antifrizione Dichtung fuer Huelse Washer for covering tube Joint pour bague couverture | ZZ941030 | 16 | Cartuccia monocomando Mixing valve Kartusche Cartouche mitigeurs | ZZ937920 |
| 3 | Snodo 20/22 Joint 20/22 Gelenkstueck 20/22 Rotule 20/22 | ZZ941120 | 9 | Canotto copricartuccia Tube for escutcheon Huelse f.Abdeckkappe Canot couvre-cartouche | ZZ937890 | 17 | Asta deviazione completa Complete diverting rod Umstellung Tige inverseur complete | ZZ933140 |
| 4 | Guarnizione 20,8x16x1,5 Gasket 20,8x16x1,5 Dichtung 20,8x16x1,5 Joint 20,8x16x1,5 | ZZ941130 | 9-1 | Guarnizione per canotto copricartuccia Gasket for tube for escutcheon Dichtung Huelse f.Abdeckkappe Joint pour canot couvre-cartouche | ZZ937900 | 18 | Perno di fissaggio Pin Zapfen Vis | ZZ942390 |
| 5 | Corpo soffione doccia Showerhead's body Koeper der Kopfbrause Corps pomme de douche | ZZ941100 | 10 | Asta leva monocomando Rod for Lever Stange fuer Hebel Tige levier mitigeur | ZZ937910 | 19 | Flex PVC 150 cm Ø14 1/2"x1/2" conico Flex PVC 150 cm Ø14 1/2"x1/2" Braueschl. PVC 150 cm Ø14 1/2"x1/2" Flex.PVC 150 cm Ø14 1/2"x1/2" | ZA009030 |
| 5-1 | Disco soffione doccia Showerhead's disc Disk der Kopfbrause Disque pour pomme de douche | ZZ941140 | 11 | Terminale leva "LS" Knob for lever "LS" Design Griffelement "LS" Embout levier "LS" | LS010000 | 20 | Valvola anti-ritorno Ø15 per doccia Back-flow valve Ø15 Durchflussverhinderer Ø15 Clapet anti-retour Ø15 | ZZ929560 |
| 5-2 | Vite W.3/16x16 tb. Screw W.3/16x16 tb. Schraube W.3/16x16 tb. Vis W.3/16x16 tb. | ZZ941150 | 12 | Rondella antifrizione Dichtung fuer Huelse Washer for covering tube Joint pour bague couverture | ZZ937940 | 21 | Doccia minimale Minimal handshower Handbrause minimal Douchette minimal | DS014090 |
| 5-3 | Placchetta Cap Abdeckkappe Plaquette | ZZ941160 | 13 | Pomolo per deviazione Knob for diverter Zugknopf Umsteller Pommeau pour inverseur | ZZ933290 | | | |
| 6 | Anello per canna Ring for spout Ring fuer Auslauf Bague pour bec | ZZ941020 | 14 | Vite M.4x8 Screw M.4x8 Schraube M.4x8 Vis M.4x8 | ZZ938030 | | | |

ST005050

<https://es.cisal.it/columna-monomando-ducha-2-funciones-columnas-ducha-st005050>

2026-06-15