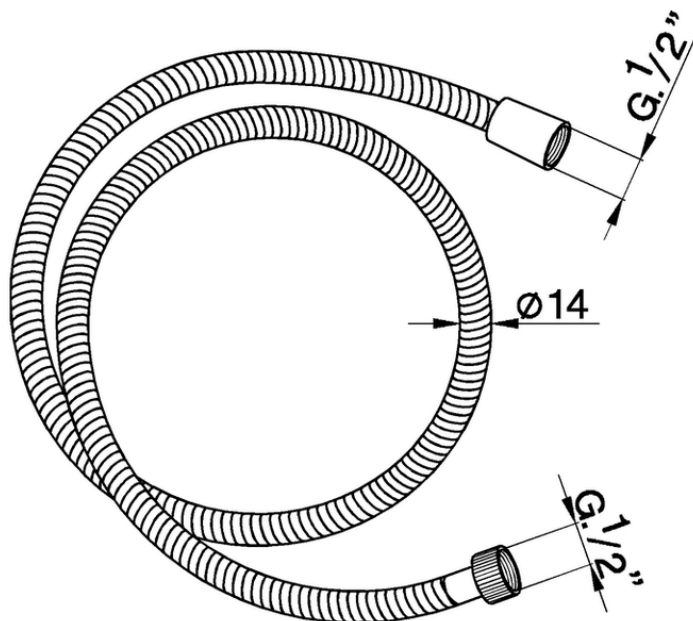


**Flexible SHOWER\_ZA009020**



ZA009020

<https://es.cisal.it/flexible-shower-za009020>

2024-12-22