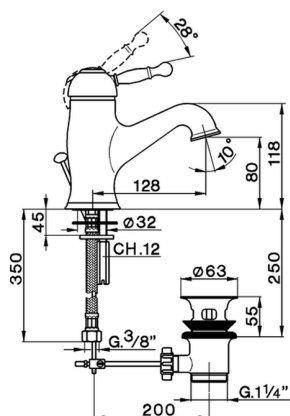


## Lavabo monomando ARCANA ROYAL\_AY000510



MODELO **AY000510**

Lavabo monomando, con desagüe automático  
1"1/4, latiguillos acero G.3/8"

### ACABADOS DISPONIBLES

-  **21** 21 Cromo
-  **24** 24 Oro
-  **26** 26 Cobre Viejo
-  **27** 27 Bronce Viejo
-  **2A** 2A Niquel Satinado Cepillado
-  **74** 74 Cromo/Oro

### CARACTERÍSTICAS

Recambio Cartucho **ZZ92909000**

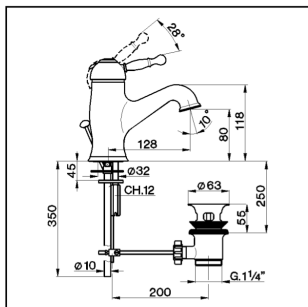
**Cartucho Monomando 43 mm**



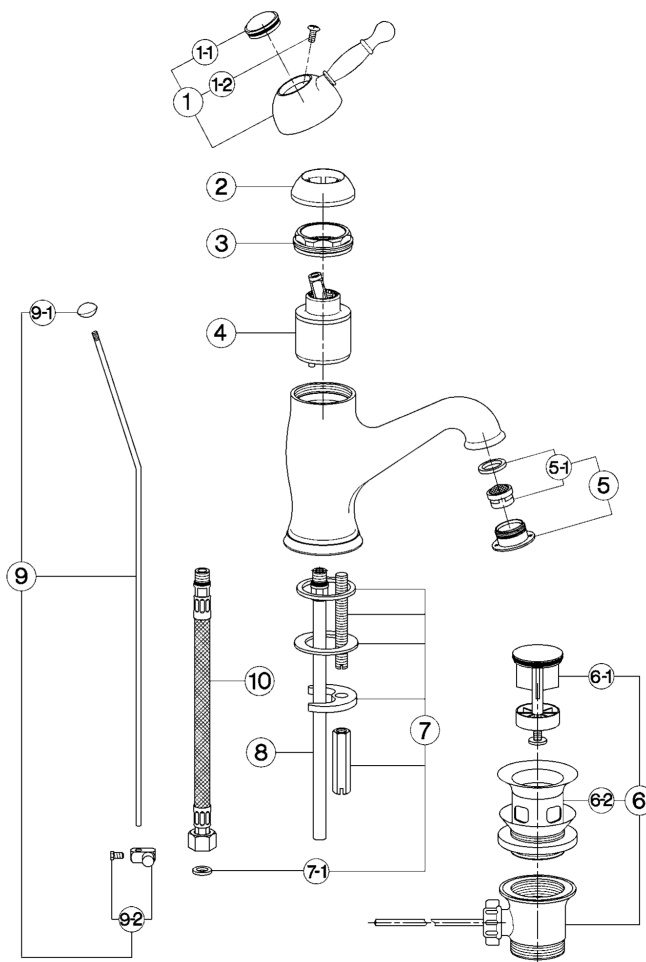
## Lavabo monomando ARCANA ROYAL\_AY000510

# cisal

## AY 00051



- Monocomando lavabo
- Single lever wash basin mixerr
- Einhand-Waschtischbatterie
- Mitigeur lavabo



bar	PORTATA BOCCA DI EROGAZIONE * SPOUT FLOW RATE DURCHFLOß WANNENEINLAUF DEBIT BEC DEVERSEUR l/min.
0.5	6
1	8
2	11.5
3	13.5
4	15.5
5	17.5

\* con resistenza silenziosa della classe di portata A (15 l/min. a 3 bar)  
with hydraulic resistance of flow rate class A (15 l/min. at 3 bar)  
mit geräuscharmen Widerstand der Durchflussklasse A (15 l/min. bei 3 bar)  
avec aérateur classe A (15 l/min. à 3 bar)

NR.	DESCRIZIONE DESCRIPTION BESCHREIBUNG DESCRIPTION	N. CODICE CODE NO. WERKSNR. NR. CODE	NR.	DESCRIZIONE DESCRIPTION BESCHREIBUNG DESCRIPTION	N. CODICE CODE NO. WERKSNR. NR. CODE	NR.	DESCRIZIONE DESCRIPTION BESCHREIBUNG DESCRIPTION	N. CODICE CODE NO. WERKSNR. NR. CODE
1	Lever monocomando "AY" Lever "AY" Hebel "AY" Levier "AY"	ZZ 90370 0	5	Bordino con aeratore M. 24x1 "AR" Cascade Overfill with moussieur M.24x1 "AR" Cascade Perlator M.24x1 "AR" Cascade Garniture avec moussieur M.24x1 "AR" Cascade	ZZ 93398 0	7-1	Guarnizione fibra 3/8" Gasket rubber 3/8" Fiberdichtung 3/8" Joint en fibre 3/8"	ZZ 92696 0
1-1	Placchetta per leva "AY" Cap for lever "AY" Abdeckkappe f/Hebel "AY" Plaquette levier "AY"	ZZ 93048 0	5-1	Cartuccia per aeratore M. 24x1 Cascade Kart. f/Perlator M.24x1 Cascade Cartouche x moussieur M.24x1 Cascade	ZZ 93399 0	8	Tubetto monoloro "SU" con O.R. Tube with O.R. "SU" Anschlussrohre mit O.R. "SU" Tube "SU" avec O.R.	ZZ 92838 0
1-2	Vite M.4,5x15 lb. tc. Screw M.4,5x15 Schraube M.4,5x15 Vis M.4,5x15	ZZ 92641 0	6	Scarico automatico 1" 1/4 sabbioso Pop-up waste 1" 1/4 Ablaufgarnitur 1" 1/4 Vidage automat. 1" 1/4	ZZ 92754 0	9	Astina scarico completa Ø4 Rod Ø4 Zugstange Ø4 Tige Ø4	ZZ 92044 0
2	Copricartuccia senza ideogrammi Escutcheon cartridge without ideogram Abdeckkappe ohne Ideogramm Couvere-cartouche sans ideogramme	ZZ 92718 0	6-1	Tappo completo scarico automatico 1" 1/4 Plug for pop-up waste 1" 1/4 Stopfen f/Ablaufg. kpl 1" 1/4 Bonde - vidage 1" 1/4	ZZ 92925 0	9-1	Pomolo per scarico automatico Knob for pop-up rod Zugknopf Ablaufg. Pommeau - tige	ZZ 92644 0
3	Calotta bloccaggio cartuccia piccola Nut for mixing valve-small Mutter f/Kartusche Ecoru pour cartouche	ZZ 92603 0	6-2	Piletta per scarico automatico 1" 1/4 Waste for bath drain 1" 1/4 Ablauf f/Ablaufgarnitur 1" 1/4 Crépine pour vidage 1" 1/4	ZZ 92924 0	9-2	Morsetto snodato per astina Ø5,2 Connection for pop-up rod Ø5,2 Gelenkstück f/Zugstange Ø5,2 Jonction x tige vidage Ø5,2	ZZ 92614 0
4	Cartuccia monocomando piccola Mixing valve - small size Kartusche Cartouche mitigeurs	ZZ 92909 0	7	Set installazione monocomando monoloro Installation set single hole Befestigungsset Set installation	ZZ 92851 0	10	Flessibile M.11x1 3/8" F.L.365 Flex M.11x1 3/8" L.365 Anschluss Schlauch M.11x1 3/8" L.365 Flex M.11x1 3/8" L.365	ZZ 92842 0

AY.5

AY000510

<https://es.cisal.it/lavabo-monomando-arcana-royal-ay000510>

2026-04-29