

Lavabo monomando FLASH_FL000512

MODELO **FL000512**

Lavabo monomando, con desagüe automático 1" 1/4, latiguillos acero G.3/8"

ACABADOS DISPONIBLES

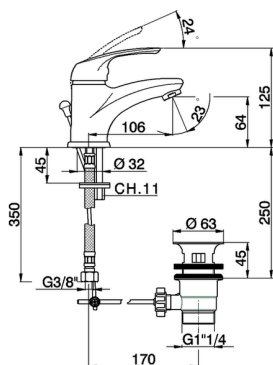


21 21 Cromo

CARACTERÍSTICAS

Recambio Cartucho **ZZ94034000**

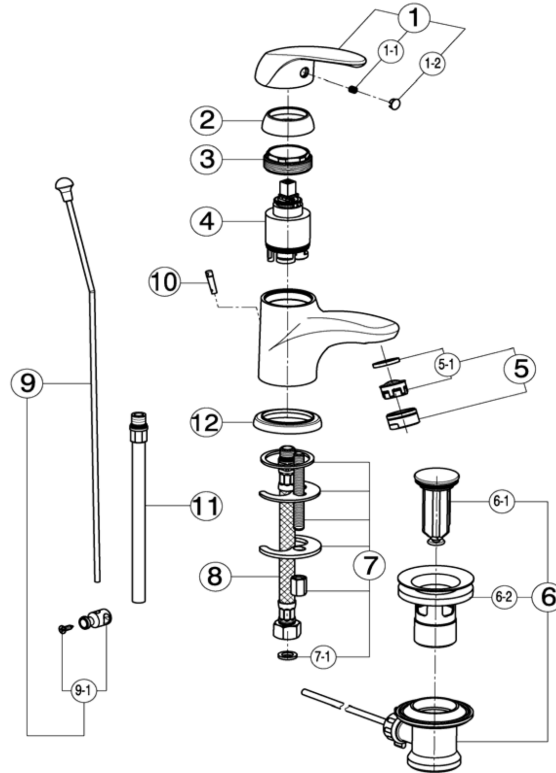
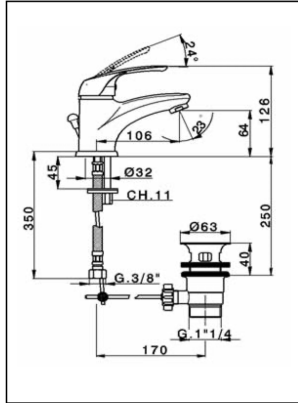
Cartucho Monomando 35 mm



Lavabo monomando FLASH_FL000512

cisal

FL 00051 2



NR.	DESCRIZIONE DESCRIPTION BESCHREIBUNG DESCRIPTION	N.CODICE CODE NO. WERSKNR. NR.CODE	NR.	DESCRIZIONE DESCRIPTION BESCHREIBUNG DESCRIPTION	N.CODICE CODE NO. WERSKNR. NR.CODE	NR.	DESCRIZIONE DESCRIPTION BESCHREIBUNG DESCRIPTION	N.CODICE CODE NO. WERSKNR. NR.CODE
1	Leva monoc.FL Lever "FL" Hebel "FL" Levier "FL"	zz940780	5-1	Cartuccia per aeratore M. 24x1 Mousseur cartridge M.24x1 Kart. f/Perlator M.24x1 Cartouche x mousseur M.24x1	ZZ926950	9	Astina scarico completa Ø4 Rod Ø4 Zugstange Ø4 Tige Ø4	ZZ940730
1-1	Grano punta coppa inox M.5x6 Screw-stainless steel M.5x6 Madenschraube M.5x6 Vis speciale inox M.5x6	zz940630	6	Scarico automatico 1" 1/4 sabbiato Pop-up waste 1"1/4 Ablaufgarnitur 1" 1/4 Vidage automat. 1"1/4	ZZ929600	9-1	Morsetto astina scarico automatico Connection for pop-up rod Gelenkstück f/Zugstange Jonction x tige vidage	ZZ933430
1-2	Piacchetta per leva Cap for lever Abdeckkappe f/Hebel Plaquette levier	zz927100	6-1	Tappo completo scarico aut. 1" 1/4 Plug for pop-up waste 1" 1/4 Stopfen f/Ablaufg. kpl 1" 1/4 Bonde - vidage 1"1/4	ZZ929250	10	Tappino portacatenella Plug for chain Stopfen f/Kettenhalter Bonde pour chaînette	ZZ927170
2	Copricartuccia senza ideogrammi Escutcheon cartridge without ideogram Abdeckkappe ohne Ideogramm Couvre-cartouche sans ideogramme Calotta bloccaggio cartuccia	zz940650	7	Piletta per scarico automatico 1" 1/4 Waste for bath drain 1" 1/4 Ablauf f/Ablaufgarnitur 1" 1/4 Crépine pour vidage 1" 1/4	ZZ929240	11	Set installazione monoc.monoforo Tubetto monoforo "SU" con O.R. Tube with O.R. "SU" Anschlussrohr mit O.R. "SU" Tube "SU" avec O.R. Basetta per monocomando	ZZ928380
3	Nut for mixing valve Mutter f/kartusche Ecrou pour cartouche	ZZ940660	7-1	Guarnizione fibra 3/8" Gasket rubber 3/8" Fiberdichtung 3/8" Joint en fibre 3/8"	ZZ926960	12	Assembling ring for single lever mixer Basis fuer Einhebelmischer Bague pour mitigeur	ZA006040
4	Cartuccia monocomando Mixing valve Kartusche Cartouche mitigeurs	ZZ940340	8	Aeratore M.24x1 IA Mousseur M.24x1 IA Perlator M.24x1 IA Mousseur M.24x1 IA	ZZ928420			

FL000512

<https://es.cisal.it/lavabo-monomando-flash-fl000512>

2026-05-04