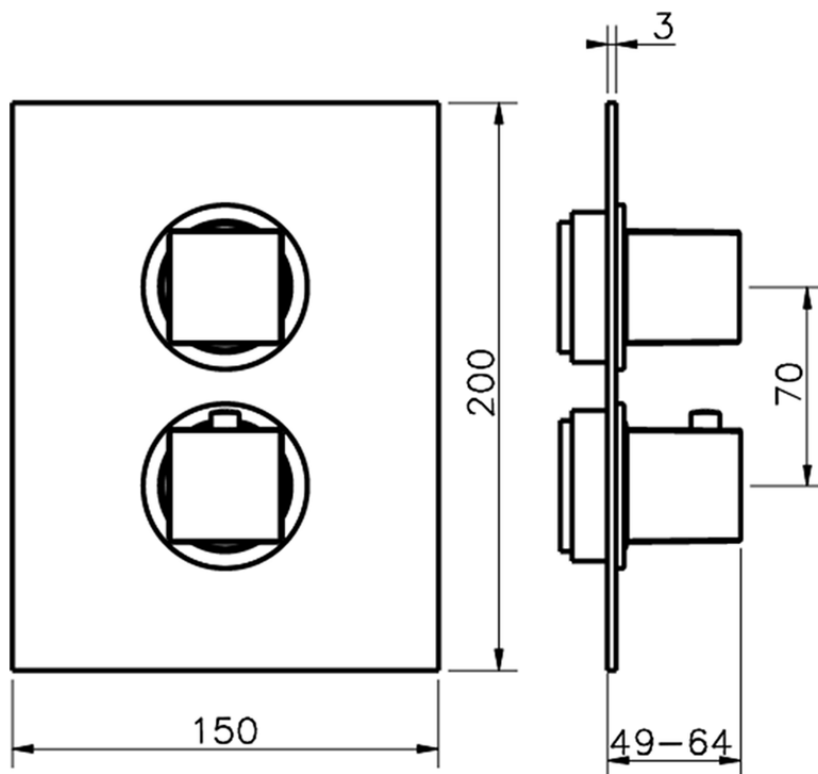
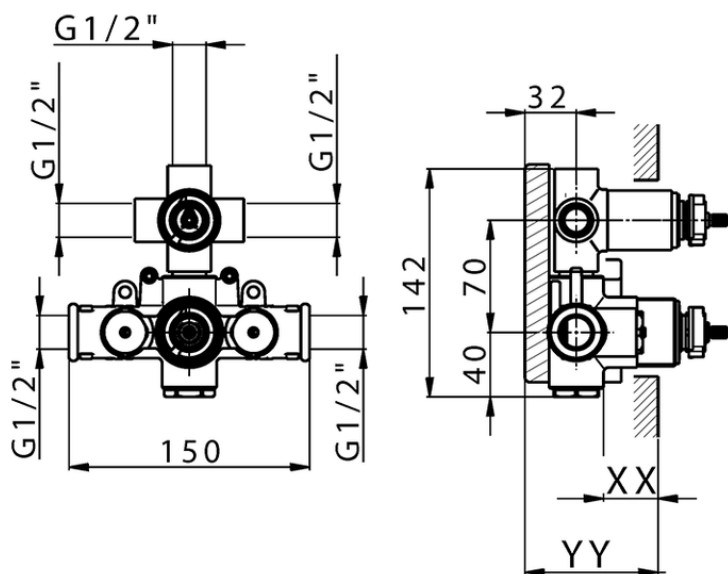


Parte externa termostático ducha emp. 3 salidas ROADSTER ACCENT_RA018200



RA018200

<https://es.cisal.it/parte-externa-termostatico-ducha-emp-3-salidas-roadster-accentra018200>



Piastra/Plate/Plaque/Platte/Placa

2-3mm: XX 25-40 YY 76-91

10 mm: XX 16-31 YY 65-80

ZA018201

<https://es.cisal.it/parte-empotrada-termostatico-ducha-3-salidas-empotradoza018201>

2024-11-01