

Columna termostática ducha 2 funciones ARCANA CERAMIC_AC004080

MODELO **AC004080**

Columna termostática ducha 2 funciones,desviador 2 salidas,columna telescópica,con soporte duchita fijo, duchita una función Arcana Ø53 mm,rociador redondo Ø 200 mm de Latón,flexible de Latón 150 cm

ACABADOS DISPONIBLES

- 21** 21 Cromo
- 24** 24 Oro
- 26** 26 Cobre Viejo
- 27** 27 Bronce Viejo
- 2A** 2A Niquel Satinado Cepillado
- 74** 74 Cromo/Oro



CARACTERÍSTICAS

Recambio Cartucho **22.03A.AR - ZZ97080004**

Cartucho Termostático Argo 1 (filtro corto)



EcoStop

La función EcoStop limita el caudal del agua aproximadamente el 50% de la salida máxima con una leve resistencia en la maneta. Basta con empujar ligeramente más allá de la mitad del tope sólo cuando se requiera la salida máxima de agua. Esto permitirá ahorrar hasta un 50% de agua.



Termostático

El termostático Cisal es tu gestor personal del agua, ayudándote a manejar, controlar y ahorrar agua y energía.

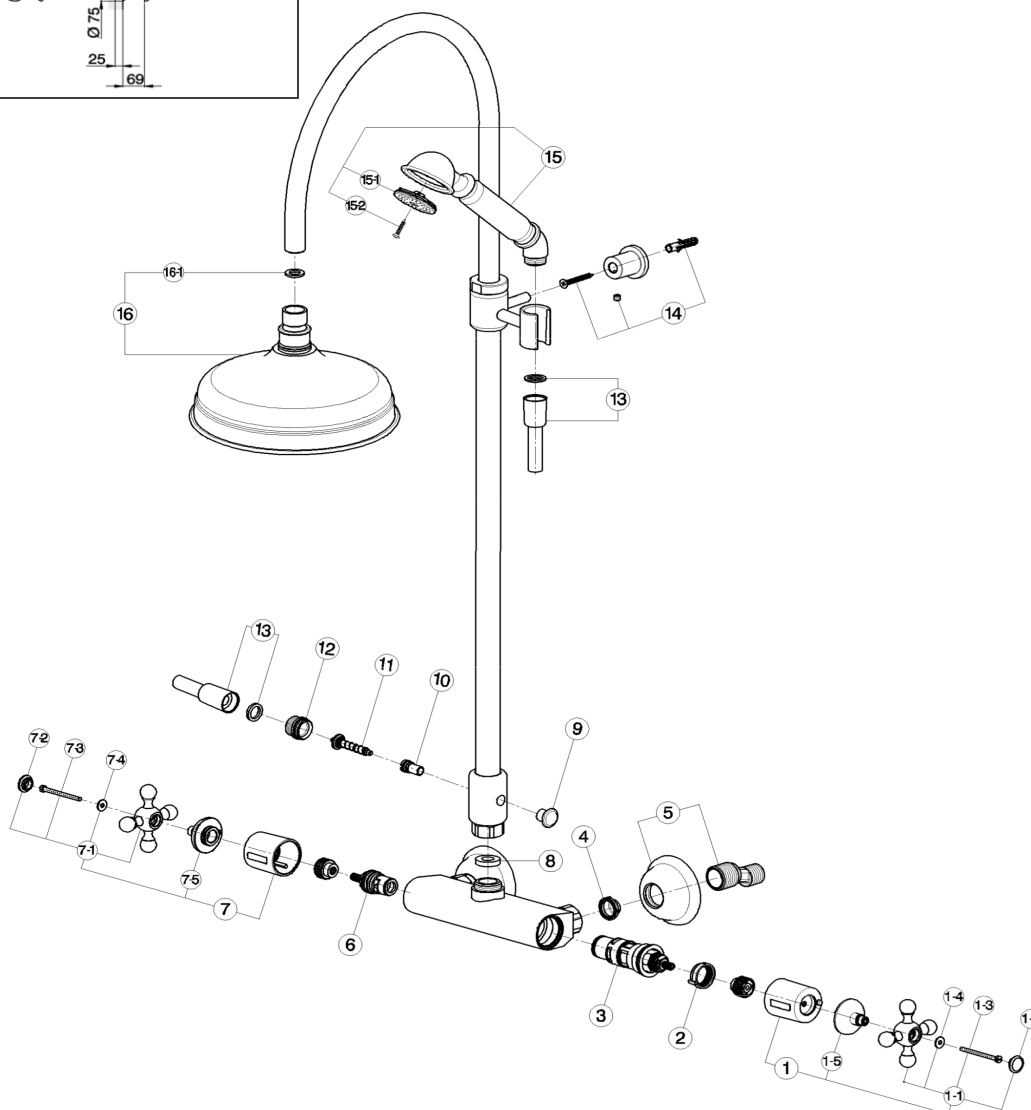
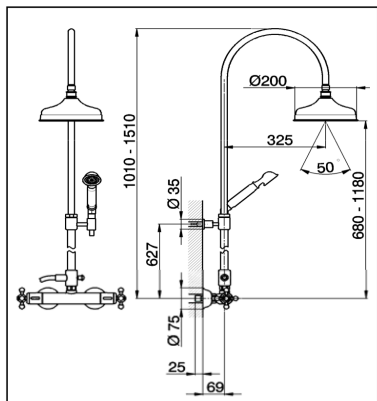


Columna termostática ducha 2 funciones ARCANA CERAMIC_AC004080

cisal

AC 00408 0

da Febbraio 2009 - from February 2009
ab Februar 2009 - de Février 2009



AC004080

<https://es.cisal.it/columna-termostatica-ducha-2-funciones-arcana-ceramic-ac004080>

Columna termostática ducha 2 funciones ARCANA CERAMIC_AC004080

cisal

AC 00408 0

 da Febbraio 2009 - from February 2009
 ab Februar 2009 - de Février 2009

| NR. | DESCRIZIONE DESCRIPTION BESCREIBUNG DESCRIPTION | N.CODICE CODE NO. WERSKNR. NR.CODE | NR. | DESCRIZIONE DESCRIPTION BESCREIBUNG DESCRIPTION | N.CODICE CODE NO. WERSKNR. NR.CODE | NR. | DESCRIZIONE DESCRIPTION BESCREIBUNG DESCRIPTION | N.CODICE CODE NO. WERSKNR. NR.CODE |
|-----|--|---|-----|--|---|------|--|---|
| 1 | Maniglia "AC" regolazione temperatura Croisillon "AC" gradué Handle - temperature set-up "AC" Griff "AC" Temperaturbergrenzer | ZZ946050 | 6 | Vitone ceramico 1/2 destro 180° term. Tête céramique 1/2 droite 180° therm. Ceramic headvalve 1/2 right 180° therm. Keramikoberteil 1/2 rechts 180°Therm. | ZZ945890 | 11 | Asta deviazione completa Tige inverseur complète Complete diverting rod Umstellung | ZZ933140 |
| 1-1 | Piastra deviatore ceramico 4 vie Plaque pour inverseur céram. 4 voies Plate for 4 ways ceramic diverter Abdeckrosette fuer 4 Wege Keramik. | ZZ936870 | 7 | Maniglia HA regolazione portata Croisillon HA debit Handle - flow rate control HA Griff HA fuer Absperrung | ZZ935860 | 12 | Attacco flessibile Raccord flex Flexible connection Flex Anschluss | ZZ931410 |
| 1-2 | Placchetta a vite maniglia AR Plaquette cache vis croisillon AR Cap for handle AR Abdeckkappe AR Griff | ZZ926170 | 7-1 | Maniglia HA con vite e placchetta Croisillon avec vis et plaquette HA Handle with scre and plate HA Griff HA mit Schraube und Abdeckkap. | ZZ935870 | 13 | Flessibile D.14x150 1/2" conico x 1/2" Flexible D.14x150 avec raccord 1/2" Hose D.14x150 1/2"x1/2" Schlauch D.14x150 1/2" Konus x 1/2" | ZA009030 |
| 1-3 | Vite M.4x47 Vis M. 4x27 Screw M. 4x27 Schraube M.4x27 | ZZ935630 | 7-2 | Placchetta a vite maniglia AR Plaquette cache vis croisillon AR Cap for handle AR Abdeckkappe AR Griff | ZZ926170 | 14 | Set installazione asta doccia Set installation colonne de douche Installation set for sliding bar Installationsset für Wandstange | ZZ949870 |
| 1-4 | Rondella ottone 12x4,3x1 Joint laiton 12x4,3x1 Ring in brass 12x4,3x1 Unterlegscheibe 12x4,3x1 | ZZ926730 | 7-3 | Vite M.4x47 Vis M. 4x27 Screw M. 4x27 Schraube M.4x27 | ZZ935630 | 15 | Doccia Arcana Douchette Arcana Arcana handshower Handbrause Arcana | DS014110 |
| 1-5 | Placchetta maniglia "AC" per termost. Plaquette croisillon "AC" pour thermost. Cap "AC" handle for thermost. mixer Abdeckkappe Griff "AC" f.Thermost. | ZZ946060 | 7-4 | Rondella ottone 12x4,3x1 Joint laiton 12x4,3x1 Ring in brass 12x4,3x1 Unterlegscheibe 12x4,3x1 | ZZ926730 | 15-1 | Vite di fissaggio diffusore per doccia Vis de fixation diffuseur pour douchette Fixing screw for spray kit handshower Befestigungsschraube fuer Einsatz | ZZ934010 |
| 2 | Ghiera limitatrice di temperatura "H2" Ecroi - limiteur temperat. "H2" Nut - temperature device "H2" Temperaturbrgr-ring "H2" | ZZ945840 | 7-5 | Placchetta maniglia "AC" per termost. Plaquette croisillon "AC" pour thermost. Cap "AC" handle for thermost. mixer Abdeckkappe Griff "AC" f.Thermost. | ZZ9460600 | 15-2 | Aeratore doccia AR Aerator for showers AR Zerstaeuber fuer Brause AR | ZZ905440 |
| 3 | Cartuccia termostatico H2 Cartouche thermostatique H2 Thermostatic mixing valve H2 Thermoelement H2 | ZZ945860 | 8 | Guarnizione NBR 90 SH. 24x16x2,7 Joint NBR 90 SH. 24x16x2,7 Gasket NBR 90 SH. 24x16x2,7 Dichtung NBR 90 SH. 24x16x2,7 | ZZ926890 | 16 | Soffione doccia Pomme de douche Headshower Kopfbrause | DS016140 |
| 4 | Guarnizione G.3/4" con filtro Joint avec filtre Gasket with filter Dichtung G.3/4" mit Filter | ZZ945870 | 9 | Pomolo per deviazione Corpo deviazione automatica Corps inverseur automatique Body for automatic diverter | ZZ933940 | 16-1 | Guarnizione fibra 18,5x11x2 Joint en fibre 18,5x11x2 Gasket rubber 18,5x11x2 Fiberdichtung 18,5x11x2 | ZZ927140 |
| 5 | Eccentrico con rosone "AC" per termost. Excentrique + rosace "AC" Excentric connection with escutch."AC" S - Anschluss m.Rosette "AC" | ZZ946070 | 10 | Corpo deviazione automatica Corps inverseur automatique Body for automatic diverter Körper für automatische Umstellung | ZZ949860 | | | |

AC004080

<https://es.cisal.it/columna-termostatica-ducha-2-funciones-arcana-ceramic-ac004080>

2026-05-04