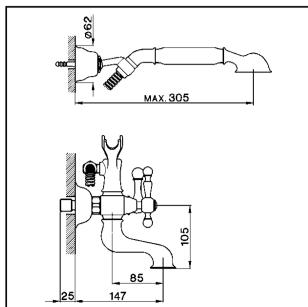


## Bañera con duplex ARCANA AMERICA\_AA000120

# cisal

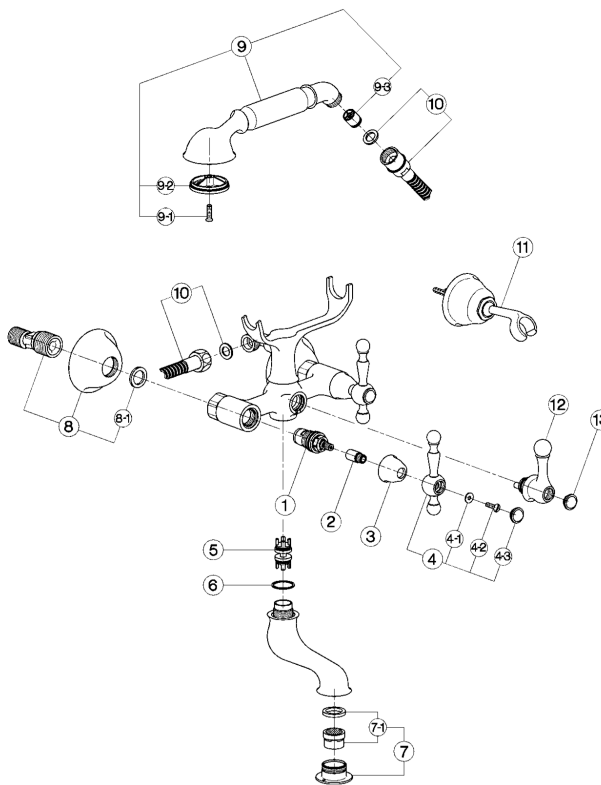
### AA 00012 (AA 00013)



- Gruppo vasca
- Bath mixer
- Badebatterie
- Mélangeur bain/douche

| bar | PORTATA BOCCA DI EROGAZIONE *<br>SPOUT FLOW RATE<br>DURCHFLOSS WANNENEINLAUF<br>DÉBIT BEC DÉVERSEUR<br>l/min. |
|-----|---|
| 0,5 | 11  |
| 1   | 15,5  |
| 2   | 22,5  |
| 3   | 27,5  |
| 4   | 31,5  |
| 5   | 35  |

\* con resistenza silenziosa della classe di portata C (30 l/min. a 3 bar)  
with hydraulic resistance of flow rate class C (30 l/min. at 3 bar)  
mit geräuscharmen Widerstand der Durchflussklasse C (30 l/min. bei 3 bar)  
avec aérateur classe C (30 l/min. à 3 bar)



| NR. | DESCRIZIONE<br>DESCRIPTION<br>BESCHREIBUNG<br>DESCRIPTION   | N. CODICE<br>CODE NO.<br>WERKSNR.<br>NR. CODE | NR. | DESCRIZIONE<br>DESCRIPTION<br>BESCHREIBUNG<br>DESCRIPTION   | N. CODICE<br>CODE NO.<br>WERKSNR.<br>NR. CODE | NR. | DESCRIZIONE<br>DESCRIPTION<br>BESCHREIBUNG<br>DESCRIPTION  | N. CODICE<br>CODE NO.<br>WERKSNR.<br>NR. CODE |
|-----|---|---|-----|---|---|-----|--|---|
| 1   | Vitone ceramico 1/2" DX 90°<br>Ceramic headvalve 1/2" right 90°<br>Keramikoberteil 1/2" - rechts - 90°<br>Tête céram. 1/2" droite 90°           | ZZ 92907 0                                    | 6   | Guarnizione fibra 26x22,5x1<br>Gasket rubber 26x22,5x1<br>Fiberdichtung 26x22,5x1<br>Joint en fibre 26x22,5x1   | ZZ 92692 0                                    | 9-3 | Valvola anti-ritorno Ø15 per doccia<br>Back-flow valve Ø15<br>Durchflussverhinderer Ø15<br>Clapet anti-retour Ø15                                | ZZ 92956 0                                    |
| 1   | Vitone ceramico 1/2" SX 90°<br>Ceramic headvalve 1/2" left 90°<br>Keramikoberteil 1/2" - links - 90°<br>Tête céram. 1/2" gauche 90°             | ZZ 92906 0                                    | 7   | Bordino con aereatore M. 28x1 "AR"<br>Overfill with mousser M.28x1 "AR"<br>Perlator M.28x1 "AR"<br>Garniture avec mousser M.28x1 "AR"   | ZZ 92784 0                                    | 10  | Flessibile 150 cm Ø14 1/2"x1/2" DA conico<br>Flex 150 cm Ø14 1/2"x1/2" conic<br>Brauseschlauch 150 cm Ø14 1/2"x1/2"<br>Flex 150 cm Ø14 1/2"x1/2" | ZA 00901 0                                    |
| 2   | Prolunga asta vitone monofon "AA"<br>Extension for headvalve "AA"<br>Verlängerung 1/Einlochbatterie "AA"<br>Prolonge levier "AA"                | ZZ 92671 0                                    | 7-1 | Cartuccia per aereatore M. 28x1<br>Mousseur cartridge M.28x1<br>Kart. 1/Perlator M.28x1<br>Cartouche x mousser M.28x1   | ZZ 92694 0                                    | 11  | Supporto duplex esterno "AR"<br>Hook handshower "AR"<br>Wandhalter 1 "AR"<br>Support mural "AR"  | ZZ 90082 0                                    |
| 3   | Cappuccio coprivitone Ø32 H.21 "AC"<br>Escutcheon Ø32 H.21 "AC" headvalve<br>Abdeckkappe Ø32 H.21 "AC"<br>Rosace couvre-tête Ø32 H.21 "AC"      | ZZ 92652 0                                    | 8   | Eccentrico con rosone "AC"<br>Eccentric connection with escutcheon "AC"<br>S - Anschluss m. Rosette "AC"<br>Excentrique + rosace "AC"   | ZZ 92826 0                                    | 12  | Deviatore per gruppo vasca "AR"<br>Diverter for bath mixer "AR"<br>Umsteller - WB - "AR"<br>Croisillon inverseur "AR"                            | ZZ 90257 0                                    |
| 4   | Leva "AA" con vite e placchetta<br>Lever with screw and plate "AA"<br>Hebel "AA" mit Schraube und Abdeckkappe<br>Levier "AA" avec vis et plaque | ZZ 92974 0                                    | 8-1 | Guarnizione NBR 90 SH. 24x16x2,7<br>Gasket NBR 90 SH. 24x16x2,7<br>Dichtung NBR 90 SH. 24x16x2,7<br>Joint NBR 90 SH. 24x16x2,7  | ZZ 92689 0                                    | 13  | Piacchetta a vite maniglia "AR"<br>Cap for handle "AR"<br>Abdeckkappe "AR" GnlH<br>Plaque cache - vis crois. "AR"                                | ZZ 92617 0                                    |
| 4-1 | Rondella ottone 12x4,3x1<br>Ring in brass 12x4,3x1<br>Unterlegscheibe 12x4,3x1<br>Joint laiton 12x4,3x1   | ZZ 92673 0                                    | 9   | Doccia per gruppo vasca "AR"<br>Handshower "AR"<br>Handbrause-WB "AR"<br>Douchette "AR"   | ZZ 90078 0                                    |     |  |   |
| 4-2 | Vite M.4x20 to. tc. zigrinata<br>Screw M.4x20<br>Schraube M.4x20<br>Vis M.4x20  | ZZ 92650 0                                    | 9-1 | Vite di fissaggio diffusore per doccia in ottone<br>Fixing screw for spray-kit handshower<br>Befestigungsschraube 1. Einsatz 1.8e in Messing<br>Vis fixation diffuseur pour douchette en laiton | ZZ 92640 0                                    |     |  |   |
| 4-3 | Piacchetta a vite maniglia "AR"<br>Cap for handle "AR"<br>Abdeckkappe "AR" GnlH<br>Plaque cache - vis crois. "AR"                               | ZZ 92617 0                                    | 9-1 | Vite di fissaggio diffusore per doccia in ABS<br>Fixing screw for spray-kit ABS handshower<br>Befestigungsschraube 1. Einsatz 1.8e in ABS<br>Vis de fixation diffuseur pour douchette en ABS    | ZZ 93401 0                                    |     |  |   |
| 5   | Valvola deviazione per gruppo vasca<br>Diverter valve for bath mixer<br>Umstellungsventil<br>Tête pour inverseur                                | ZZ 92779 0                                    | 9-2 | Diffusore doccia "AR"<br>Spray-kit handshower "AR"<br>Einsatz 1.8e in ABS<br>Diffuseur douchette "AR"   | ZZ 90544 0                                    |     |  |   |

AA.1

AA000120

<https://es.cisal.it/banera-con-duplex-arcana-america-aa000120>

2024-11-21