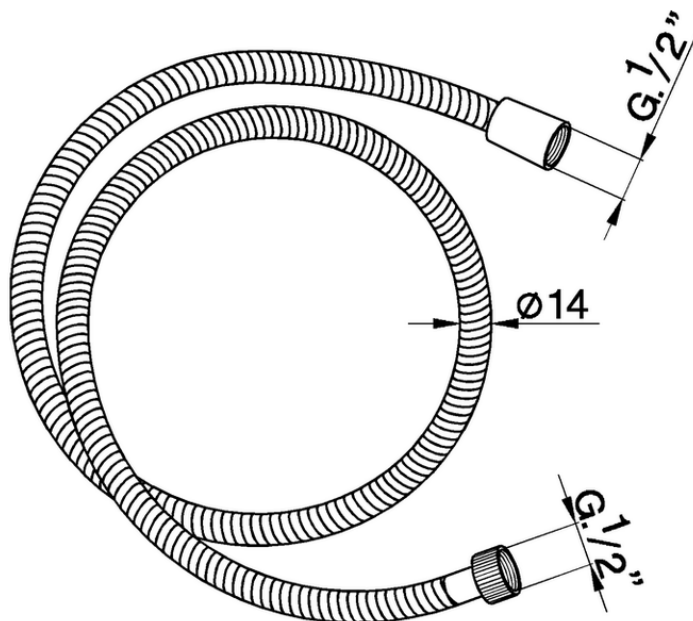


Flexible SHOWER_ZA009022



ZA009022

<https://es.cisal.it/flexible-showerza009022>

2024-11-01