







## Bidé monomando ARCANA ROYAL\_AY000550

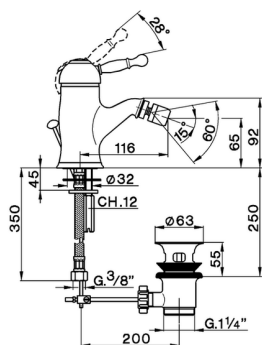
MODELO **AY000550**

Bidé monomando, con desagüe automático  
1"1/4, latiguillos acero G.3/8"



### ACABADOS DISPONIBLES

-  **21** 21 Cromo
-  **24** 24 Oro
-  **26** 26 Cobre Viejo
-  **27** 27 Bronce Viejo
-  **2A** 2A Niquel Satinado Cepillado
-  **74** 74 Cromo/Oro



### CARACTERÍSTICAS

Recambio Cartucho **ZZ92909000**

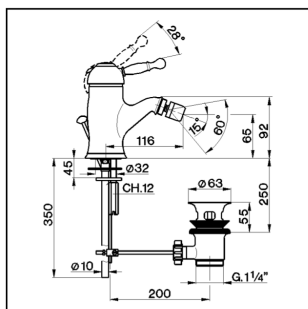
**Cartucho Monomando 43 mm**



## Bidé monomando ARCANA ROYAL\_AY000550

**cisal**

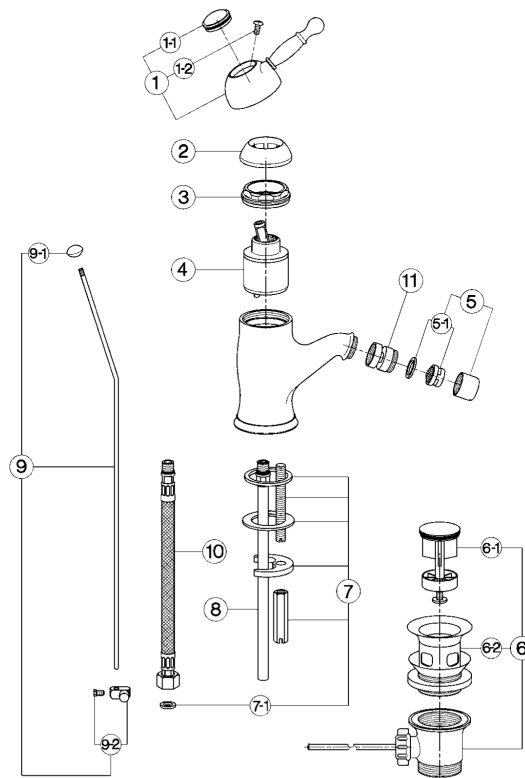
### AY 00055



- Monocomando bidet
- Single lever bidet mixer
- Einhand-Bidetbatterie
- Mitigeur bidet

bar	PORTATA BOCCA DI EROGAZIONE * SPOUT FLOW RATE DURCHFLOSS WANNENEINLAUF DEBIT BEC DEVERSEUR l/min.
0.5	6
1	8
2	11.5
3	13.5
4	15.5
5	17.5

\* con resistenza silenziosa della classe di portata A (15 l/min. a 3 bar)  
with hydraulic resistance of flow rate class A (15 l/min. at 3 bar)  
mit geräuscharmen Widerstand der Durchflussklasse A (15 l/min. bei 3 bar)  
avec aérateur classe A (15 l/min. à 3 bar)



NR.	DESCRIZIONE DESCRIPTION BESCHREIBUNG DESCRIPTION	N. CODICE CODE NO. WERKSNR. NR. CODE	NR.	DESCRIZIONE DESCRIPTION BESCHREIBUNG DESCRIPTION	N. CODICE CODE NO. WERKSNR. NR. CODE	NR.	DESCRIZIONE DESCRIPTION BESCHREIBUNG DESCRIPTION	N. CODICE CODE NO. WERKSNR. NR. CODE
1	Leva monocomando "AY" Lever "AY" Hebel "AY" Levier "AY"	ZZ 90370 0	6-1	Tappo completo scarico automatico 1" 1/4 Plug for pop-up waste 1" 1/4 Stopfen /Ablauf, kpl 1" 1/4 Bonde - vidage 1"1/4	ZZ 92925 0	11	Snodo per bidet M.22x1 Joint for bidet M.22x1 Gelenkstück 1/Bidet M.22x1 Rotule pour bidet M.22x1	ZZ 92780 0
1-1	Piachetta per leva "AY" Cap for lever "AY" Abdeckkappe 1/Hebel "AY" Plaquette levier "AY"	ZZ 93048 0	6-2	Piletta per scarico automatico 1" 1/4 Waste for bath drain 1" 1/4 Ablauf 1/Ablaufgarnitur 1" 1/4 Crépine pour vidage 1" 1/4	ZZ 92924 0			
1-2	Vite M.4,5x15 td. tc. Screw M.4,5x15 Schraube M.4,5x15 Vis M.4,5x15	ZZ 92641 0	7	Set installazione monocomando monotero Installation set single hole Befestigungsset Set installation	ZZ 92851 0			
2	Copricartuccia senza ideogrammi Escutcheon cartridge without ideogram Abdeckkappe ohne Ideogramm Couvre-cartouche sans ideogramme	ZZ 92718 0	7-1	Guarnizione fibra 3/8" Gasket rubber 3/8" Fiberdichtung 3/8" Joint en fibre 3/8"	ZZ 92696 0			
3	Calotta bloccaggio cartuccia piccola Nut for mixing valve-small Mutter 1/Kartusche Ecrou pour cartouche	ZZ 92603 0	8	Tubetto monotero "SU" con O.R. Tube with O.R. "SU" Anschlussrohre mit O.R. "SU" Tube "SU" avec O.R.	ZZ 92838 0			
4	Cartuccia monocomando piccola Mixing valve - small size Kartusche Cartouche mitigeurs	ZZ 92909 0	9	Astina scarico completa Ø4 Rod Ø4 Zugstange Ø4 Tige Ø4	ZZ 92044 0			
5	Aeratore M.22x1 IA Cascade Mousseur M.22x1 IA Cascade Perlator M.22x1 IA Cascade Mousseur M.22x1 IA Cascade	ZZ 93345 0	9-1	Pomolo per scarico automatico Knob for pop-up rod Zugknopf Ablaufg. Pommeau - tige	ZZ 92644 0			
5-1	Cartuccia per aeratore M. 22x1 Cascade Mousseur cartridge M.22x1 Cascade Kart. 1/Perlator M.22x1 Cascade Cartouche x mousseur M.22x1 Cascade	ZZ 93339 0	9-2	Morsetto snodato per astina Ø5,2 Connection for pop-up rod Ø5,2 Gelenkstück 1/Zugstange Ø5,2 Jonction x lige vidage Ø5,2	ZZ 92614 0			
6	Scarico automatico 1" 1/4 sabbato Pop-up waste 1"1/4 Ablaufgarnitur 1" 1/4 Vidage automat. 1"1/4	ZZ 92754 0	10	Flessibile M.11x1 3/8" L.365 Flex M.11x1 3/8" L.365 Anschlussschlauch M.11x1 3/8" L.365 Flex M.11x1 3/8" L.365	ZZ 92842 0			

AY.6

AY000550

<https://es.cisal.it/bide-monomando-arcana-royal-ay000550>

2026-06-14