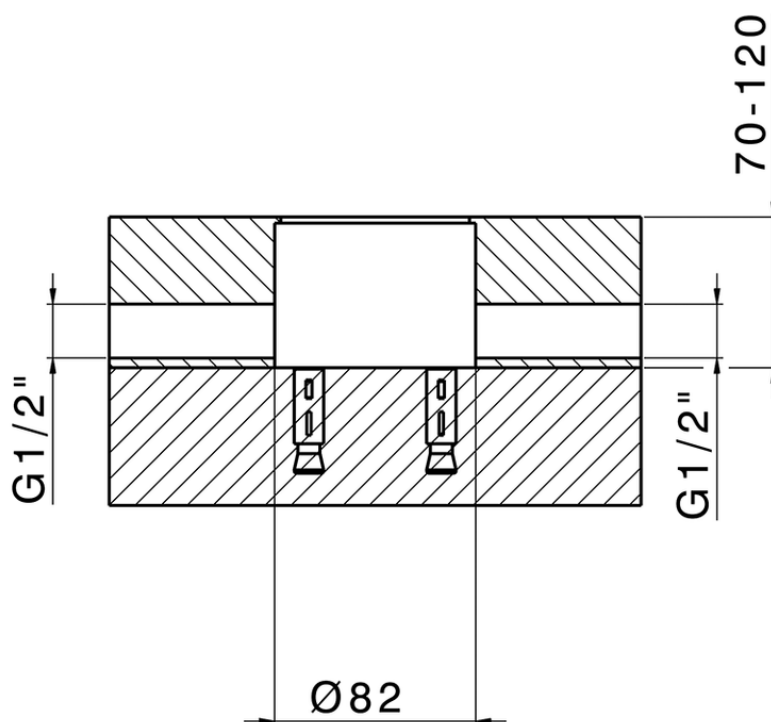


**Parte empotrada monomando free-standing EMPOTRADO\_ZA004510**

ZA004510

<https://es.cisal.it/parte-empotrada-monomando-free-standing-empotrado-za004510>

2026-06-14