

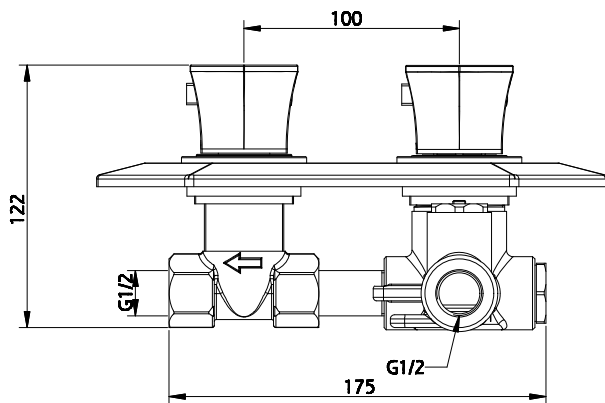
TRIM KIT FOR THERMOSTATIC CONCEALED VALVE

ASSEMBLY & MAINTENANCE INSTRUCTION

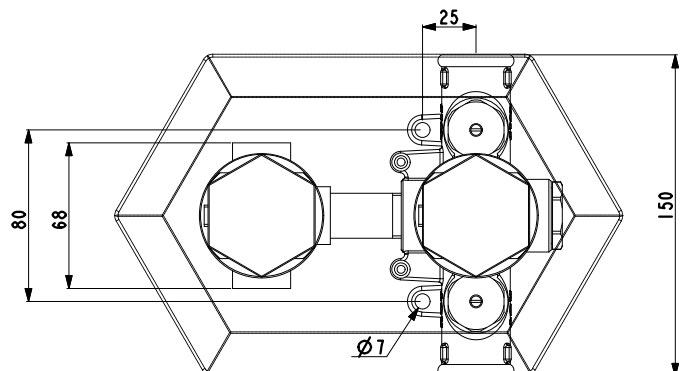
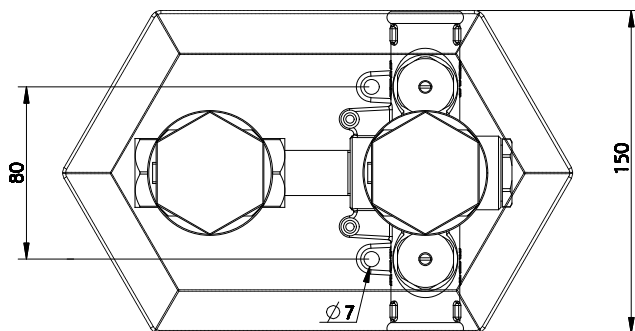
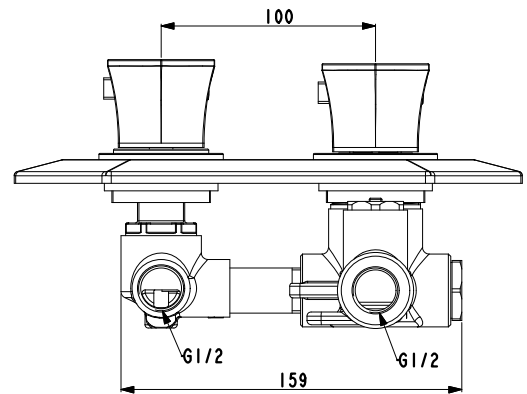
THERMOSTATIC CONCEALED VALVE
WITH STOPVALVE

THERMOSTATIC CONCEALED VALVE
WITH DIVERTER

A



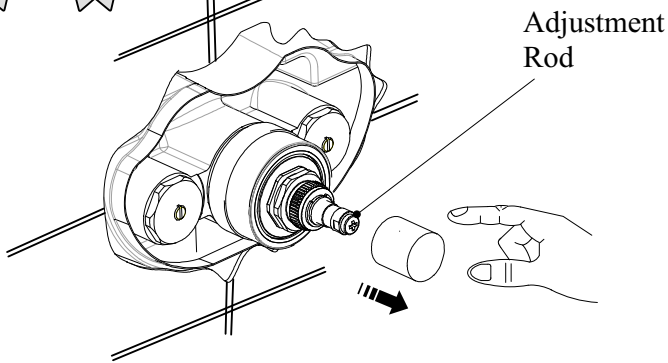
B



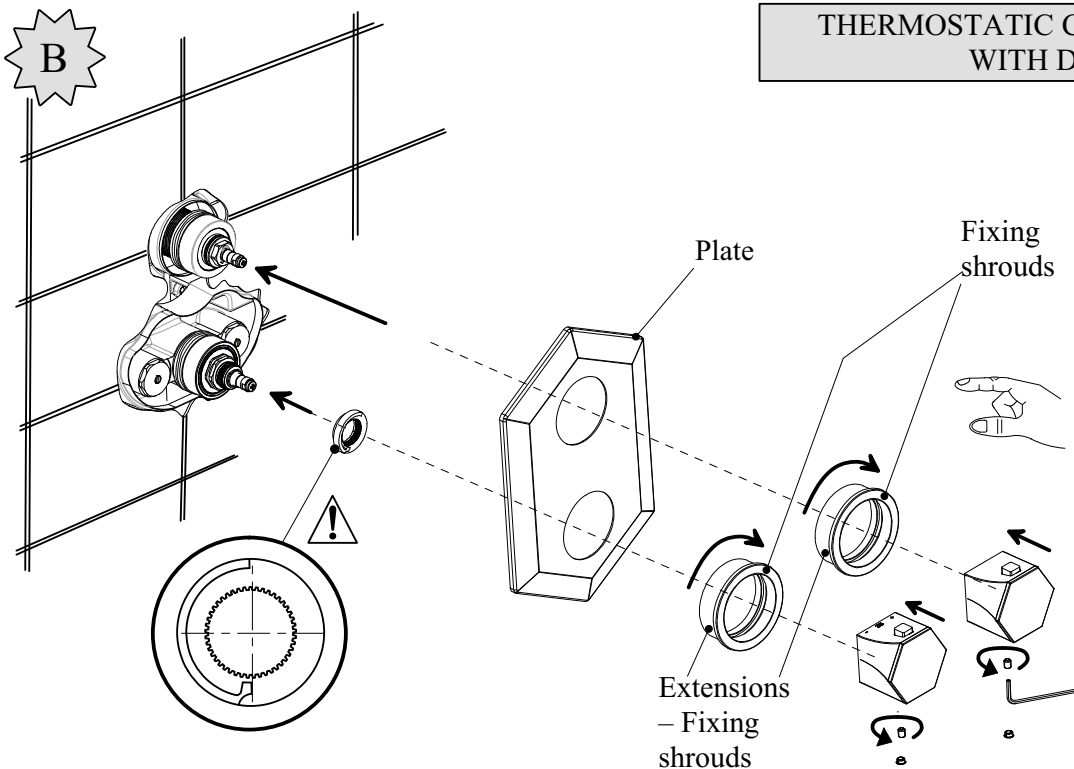
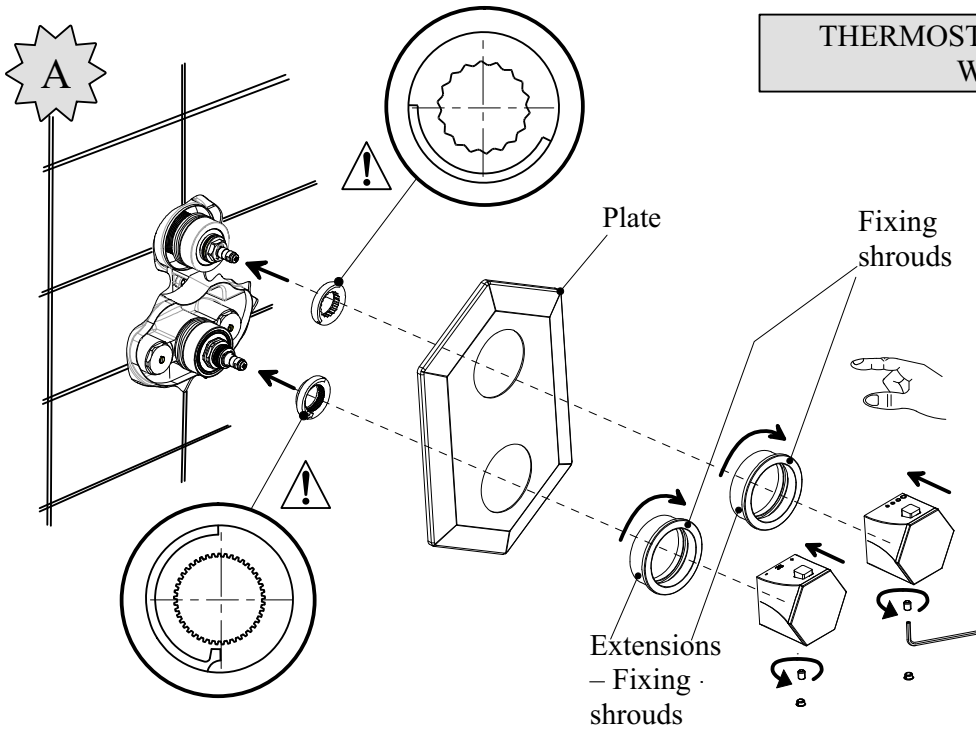
RANGE:
CHERIE - ecc.

1 - TRIM KIT Installation

A **B**

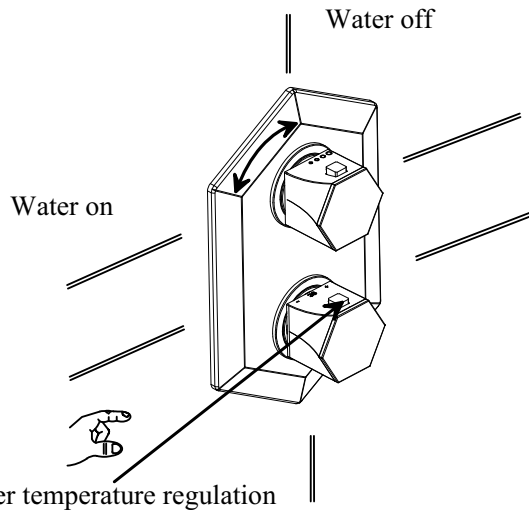


Remove the plastic protection without rotating the adjustment rod

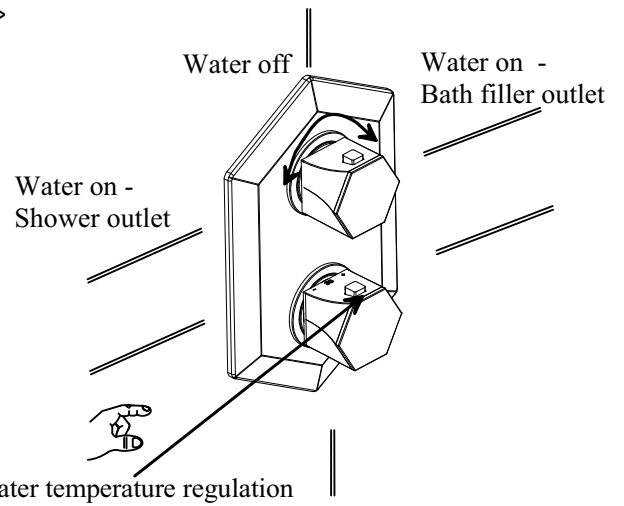


2 - Functioning

A



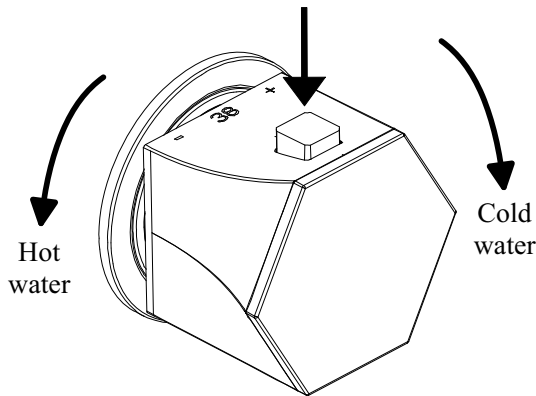
B



2.1 - Mixing function

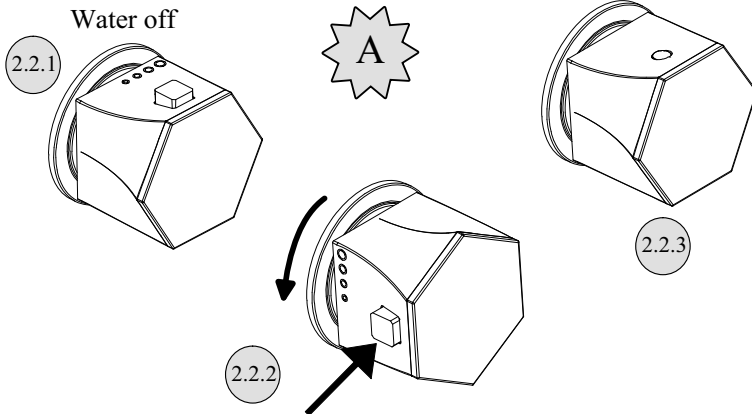
A

B



The button of the handle represents the temperature limit set up at 38° by the factory. To overcome this limit you have to push the button and turn counterclockwise, while to reduce the mixing water temperature you have to turn it clockwise.

2.2 - Water on “Eco-stop” function

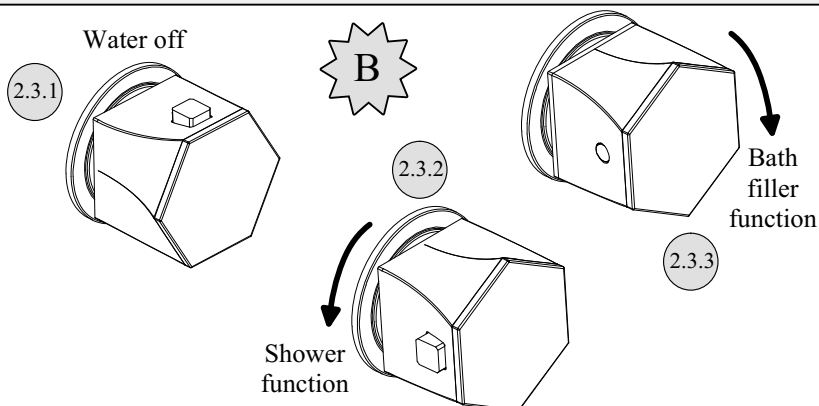


In 2.2.1 position the mixer does not provide any water. Turning the handle counterclockwise, the mixing water will come out gradually up to a limit which represents the eco -stop “water saving” function. (Picture 2.2.2.)

To overcome this limit and then “increase the water flow” you have to push the button and at the same time you have to turn the handle counterclockwise. (Picture 2.2.3.)

To reduce or close water please turn it clockwise.

2.3 - Water on “Diverter” function



In 2.2.1 position the mixer does not provide any water.

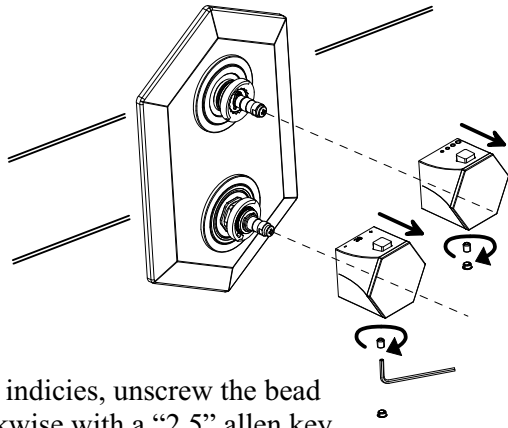
Turning the handle counterclockwise, the mixing water will come out gradually to shower position. (Picture 2.2.2.)

Turning the handle clockwise, the mixing water will come out gradually to bath filler position. In this position you will have the max flow rate. (Picture 2.2.3.)

In both cases to reduce or close water please turn it opposite up to the position as shown in picture 2.3.1.

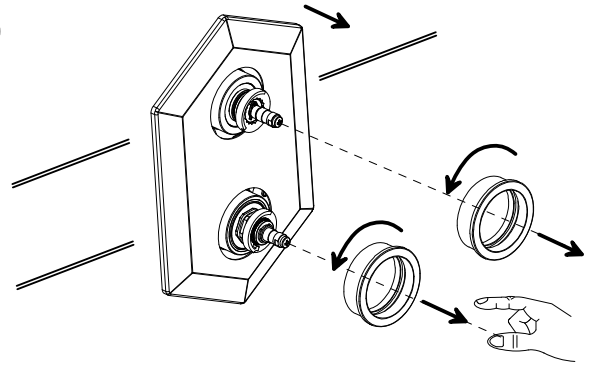
3 - Removal & Maintenance of the Thermostatic Cartridge

3.1



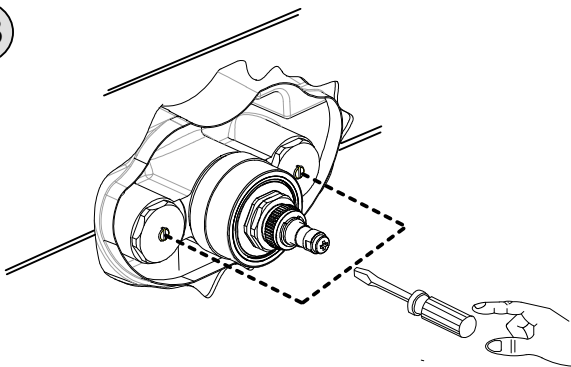
Remove the indicies, unscrew the bead counterclockwise with a “2.5” allen key. Pull the handles out as shown in picture 3.1.

3.2



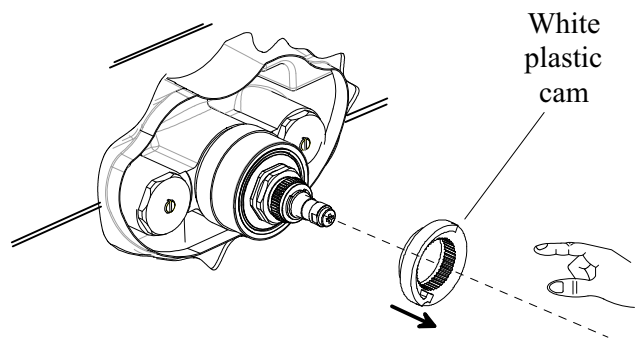
Unscrew the fixing shrouds counterclockwise and then remove the plate.

3.3



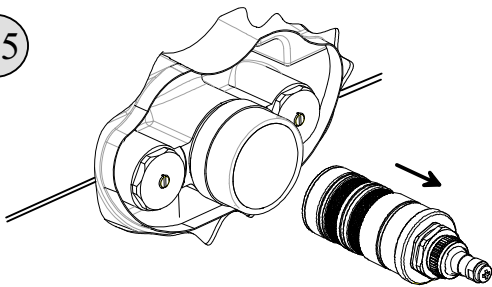
Close the water supply screwing clockwise the screws on the plugs of non return valves using a screwdriver.

3.4



Remove the white plastic cam.

3.5

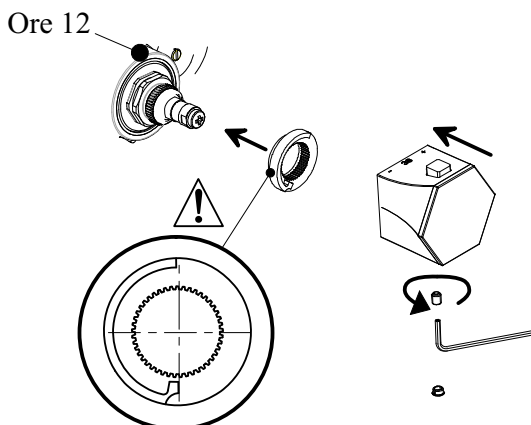


Unscrew the cartridge with a 24 mm key and pull it out from the mixer body.

3.6

Clean the filter with running water. To remove the limescale from the cartridge, put it into the vinegar or into an anti limescale solution for one night. Rinse the cartridge properly, clean the internal part of the body of the mixer with a wet cloth and lubricate the o-ring gaskets of the cartridge. Reassemble the cartridge screwing it clockwise.

3.7



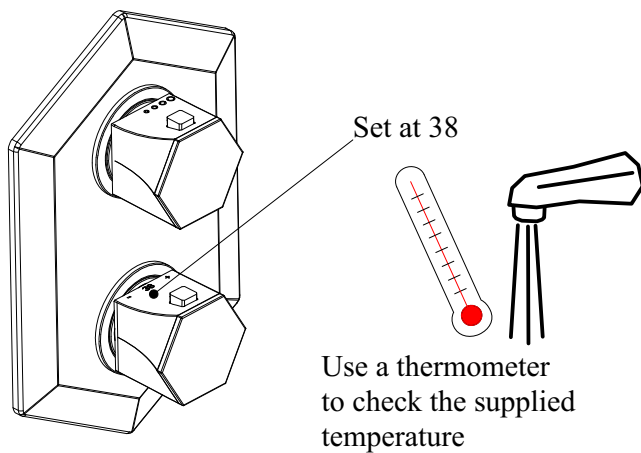
Put the white plastic cam “as shown in picture on the left” so that the landmark is at 12 o’clock position with respect to the body of the mixer. Open the water supply and reassemble the plate and the handles as shown in pictures A & B – **Trim Kit installation** Chapter. Check with a thermometer the temperature of the water supplied by the mixer, in case calibrate it following the instruction in “4. Temperature Regulation” Chapter.

4 - Temperature Regulation (only if necessary).

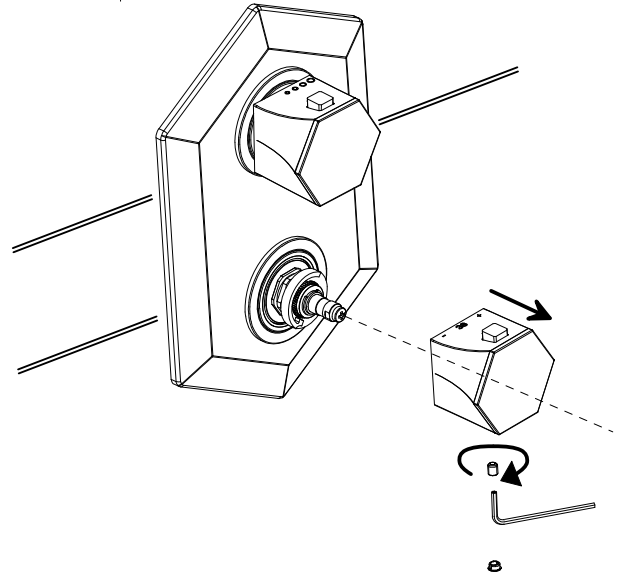
This mixer was adjusted in factory on the basis of balanced pressures and of 65° C hot water temperature. If your operating rule are very different from the ones requested, the mixing water temperature supplied by the mixer could change in regard to the one selected. If the difference is too high, it is possible to adjust the mixer on site according to your specific request.

Follow the instructions:

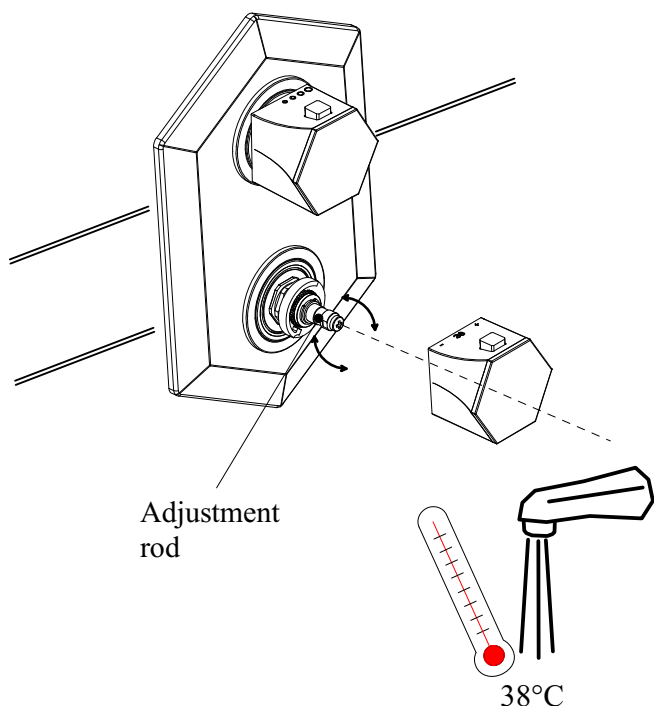
- 4.1 Put the handle vertically selecting 38° temperature, check with a thermometer the temperature supplied by the mixer. If the difference between supplied and selected temperature is too high, go on at point 4.2



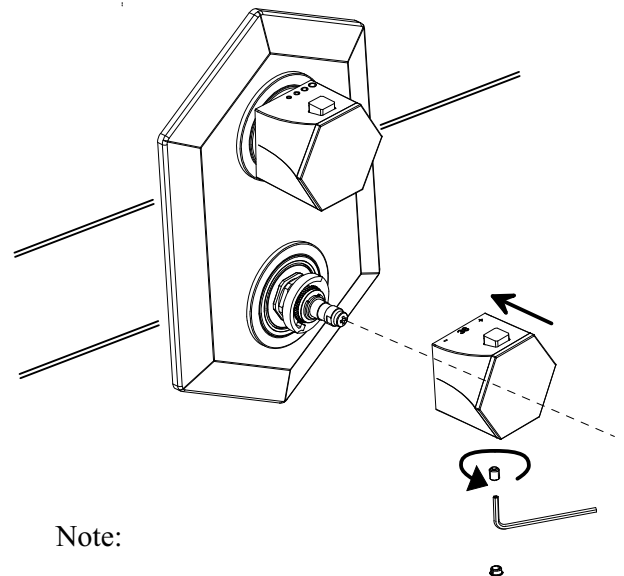
- 4.2 Without turning the handle, remove the indicie, unscrew the bead with a “2.5” allen key and pull the handle out.



- 4.3 Turning the adjustment rod with the help of a clamp (pay attention not to damage the rod) up to the 38° C temperature. (thermometer)



- 4.4 The mixer is now calibrated according to your specific operating rule. Push the button and put the handle on the adjustment rod and reassemble all the parts opposite.



Note:

The button and the “38” handle have to be aligned at 12 o’clock before assembling.

5 - Cleaning:

- For the daily cleaning of your mixer, you must use water and soap only and you have to wipe it With a soft cloth.
- Do not use any other abrasive cleanser which can damage the surface of the mixer.

6 – Operating Rule

- Minimum operating pressure 1 bar
- Maximum operating pressure 5 bar
- Reccommended operating pressure 2÷4 bar
- Hot water maximum temperature 80° C
- Recommended warm water temperature 60° C
- Working temperature min. 36° C max. 47° C
- For higher pressures than 5 bars install a pressure reducer

Note:

